

2009 / 10

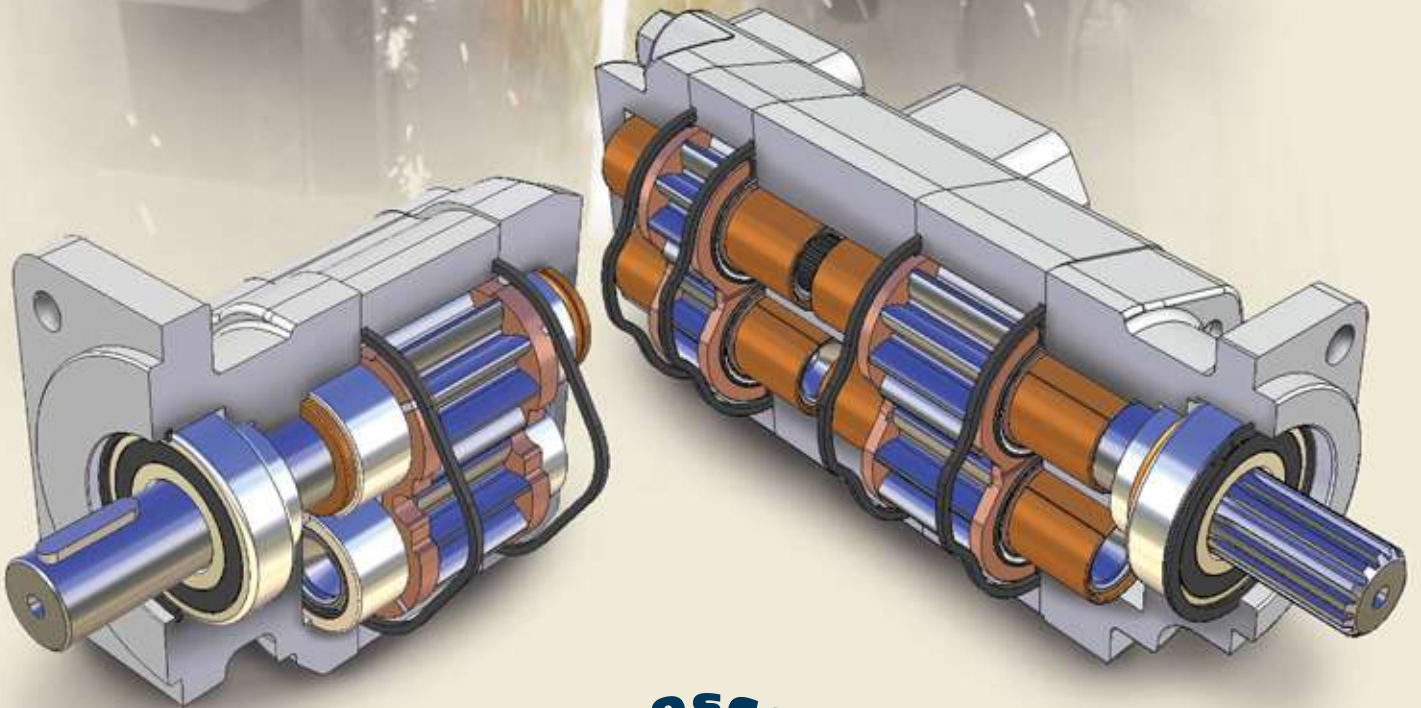
Gear Pump Manufacturing

Getting the World into Gear

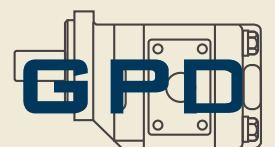
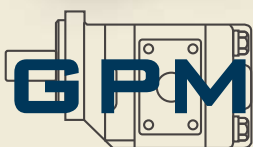
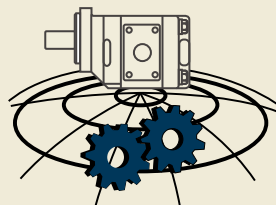


HYNESUR

SUMINISTROS DE HIDRÁULICA Y NEUMÁTICA DEL SUR, S.L.



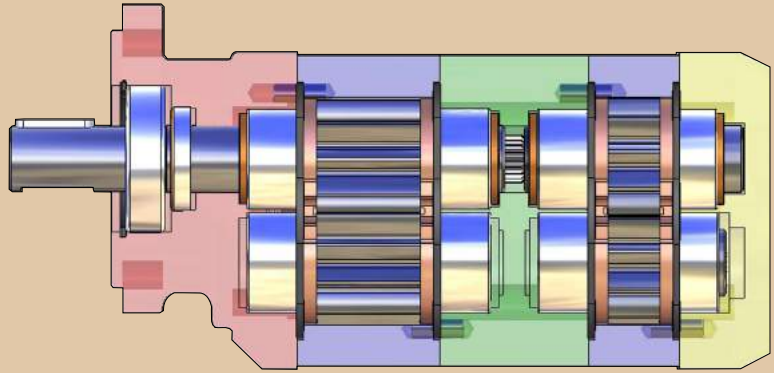
DOSCO



Manufactured in South Africa

BEARING RANGE

Pump & Motor Specifications



CODE

Manufactured in South Africa

DASH SIZE GEAR WIDTH	-05 0.50"(1/2")	-07 0.75"(3/4")	-10 1.00"(1")	-12 1.25"(1 1/4")	-15 1.50"(1 1/2")	-17 1.75"(1 3/4")	-20 2.00"(2")	-22 2.25"(2 1/4")	-25 2.50"(2 1/2")	-27 2.75"(2 3/4")	-30 3.00"(3")
120 Gear Housing Width	1.25"(11/4")	1.50"(11/2")	1.75"(13/4")	2.00"(2")	2.25"(21/4")	2.50"(21/2")	2.75"(23/4")				
cc/rev	16.00	24.10	32.20	40.30	48.30	56.40	64.50				
Lpm (at 1000rpm)	16.00	24.10	32.20	40.30	48.30	56.40	64.50				
cu in (cu in/rev)	0.99	1.48	1.97	2.46	2.96	3.45	3.94				
US gpm (at 1000rpm)	4.23	6.37	8.51	10.65	12.76	14.90	17.04				
Max Pressure(bar)	205	205	205	205	205	170	170				
Max Pressure(psi)	3000	3000	3000	3000	3000	2500	2500				
Max Speed (rpm)	2400	2400	2400	2400	2400	2400	2400				
Pump Weight (kg)	10.80	11.30	11.80	12.50	13.20	13.80	14.70				
Additional sect add (kg)	9.50	9.90	10.40	10.90	11.30	11.80	12.70				

125 Gear Housing Width	1.25"(11/4")	1.50"(11/2")	1.75"(13/4")	2.00"(2")	2.25"(21/4")	2.50"(21/2")	2.75"(23/4")	3.00"(3")	3.25"(31/4")		
cc/rev	20.80	31.20	41.70	52.10	62.60	73.00	83.50	94.00	104.40		
Lpm (at 1000rpm)	20.80	31.20	41.70	52.10	62.60	73.00	83.50	94.00	104.40		
cu in (cu in/rev)	1.28	1.91	2.55	3.19	3.82	4.46	5.10	5.74	6.38		
US gpm (at 1000rpm)	5.50	8.24	11.02	13.76	16.54	19.29	22.06	24.84	27.58		
Max Pressure(bar)	170	170	170	170	170	153	153	138	138		
Max Pressure(psi)	2500	2500	2500	2500	2500	2250	2250	2000	2000		
Max Speed (rpm)	2400	2400	2400	2400	2400	2400	2400	2400	2400		
Pump Weight (kg)	17.00	17.00	17.00	17.50	18.00	19.00	19.50	22.00	22.50		
Additional sect add (kg)	17.00	17.00	17.00	17.50	18.00	19.00	19.50	22.00	22.50		

130 131 Gear Housing Width	1.25"(11/4")	1.50"(11/2")	1.75"(13/4")	2.00"(2")	2.25"(21/4")	2.50"(21/2")	2.75"(23/4")	3.00"(3")	3.25"(31/4")		
cc/rev	16.00	24.10	32.20	40.30	48.30	56.40	64.50	72.60	80.00		
Lpm (at 1000rpm)	16.00	24.10	32.20	40.30	48.30	56.40	64.50	72.60	80.00		
cu in (cu in/rev)	0.99	1.48	1.97	2.46	2.96	3.45	3.94	4.43	4.92		
US gpm (at 1000rpm)	4.23	6.37	8.51	10.65	12.76	14.90	17.04	19.18	21.14		
Max Pressure(bar)	170/205	170/205	170/205	170/205	170/205	153/170	153/170	138/153	138/153		
Max Pressure(psi)	2500/3000	2500/3000	2500/3000	2500/3000	2500/3000	2250/2500	2250/2500	2000/2250	2000/2250		
Max Speed (rpm)	2400	2400	2400	2400	2400	2400	2400	2400	2400		
Pump Weight (kg)	15.00	15.00	15.00	15.50	16.00	16.50	17.00	17.50	18.00		
Additional sect add (kg)	12.00	12.00	12.00	12.50	13.00	14.00	14.50	15.00	15.50		

150 151 Gear Housing Width	1.25"(11/4")	1.50"(11/2")	1.75"(13/4")	2.00"(2")	2.25"(21/4")	2.50"(21/2")	2.75"(23/4")	3.00"(3")	3.25"(31/4")		
cc/rev	20.80	31.20	41.70	52.10	62.60	73.00	83.50	94.00	104.40		
Lpm (at 1000rpm)	20.80	31.20	41.70	52.10	62.60	73.00	83.50	94.00	104.40		
cu in (cu in/rev)	1.28	1.91	2.55	3.19	3.82	4.46	5.10	5.74	6.38		
US gpm (at 1000rpm)	5.50	8.24	11.02	13.76	16.54	19.29	22.06	24.84	27.58		
Max Pressure(bar)	170/205	170/205	170/205	170/205	170/205	153/170	153/170	138/153	138/153		
Max Pressure(psi)	2500/3000	2500/3000	2500/3000	2500/3000	2500/3000	2250/2500	2250/2500	2000/2250	2000/2250		
Max Speed (rpm)	2400	2400	2400	2400	2400	2400	2400	2400	2400		
Pump Weight (kg)	17.00	17.00	17.00	17.50	18.00	19.00	19.50	22.00	22.50		
Additional sect add (kg)	17.00	17.00	17.00	17.50	18.00	19.00	19.50	22.00	22.50		

175 176 Gear Housing Width		1.75"(13/4")	2.00"(2")	2.25"(21/4")	2.50"(21/2")	2.75"(23/4")	3.00"(3")	3.25"(31/4")	3.50"(31/2")	3.75"(33/4")	4.00"(4")
cc/rev		50.30	67.10	84.00	100.60	117.50	134.30	151.00	168.00	184.50	200.00
Lpm (at 1000rpm)		50.30	67.10	84.00	100.60	117.50	134.30	151.00	168.00	184.50	200.00
cu in (cu in/rev)		3.07	4.09	5.13	6.14	7.17	8.20	9.21	10.25	11.28	12.30
US gpm (at 1000rpm)		13.29	17.73	22.19	26.58	31.04	35.48	39.89	44.39	48.75	52.84
Max Pressure(bar)		170/205	170/205	170/205	170/205	170/205	170/205	153/170	153/170	138/153	138/153
Max Pressure(psi)		2500/3000	2500/3000	2500/3000	2500/3000	2500/3000	2500/3000	2250/2500	2250/2500	2000/2250	2000/2250
Max Speed (rpm)		2400	2400	2400	2400	2400	2400	2400	2400	2400	2400
Pump Weight (kg)		33.00	33.00	34.00	35.00	36.00	37.00	38.00	39.00	40.00	41.00
Additional sect add (kg)		33.00	33.00	34.00	35.00	36.00	37.00	38.00	39.00	40.00	41.00

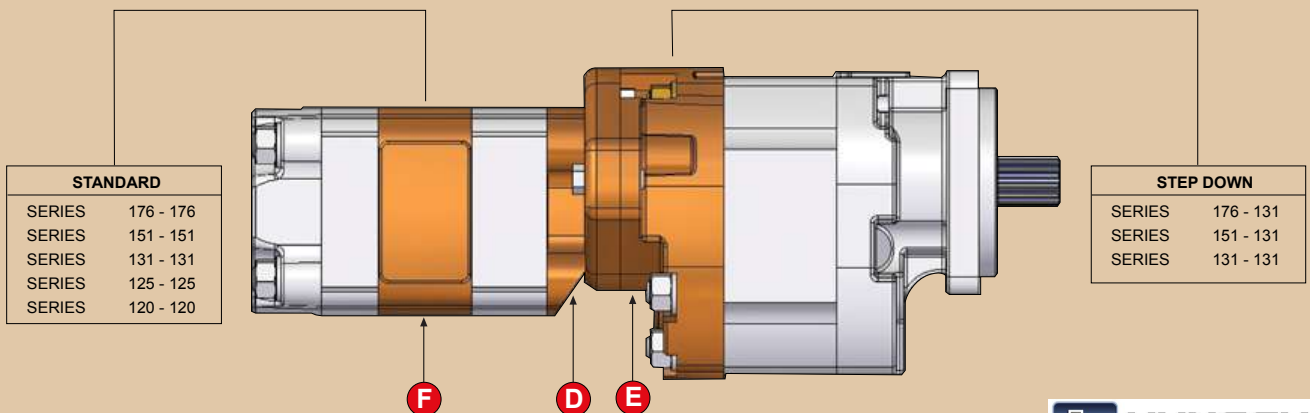
THE ABOVE DATA ARE AVERAGE RESULTS BASED ON A SERIES OF TESTS AND ARE NOT NECESSARILY REPRESENTATIVE OF ANY SINGLE UNIT. GEAR PUMP MANUFACTURING RESERVES THE RIGHT TO AMEND THE TECHNICAL DATA WITHOUT NOTICE.

Useful Formulae	To Convert	Inches	Bar	Cu In/rev	US GPM	US GPM	kg
	Into	Millimeters	Psi	cc/rev	Cu In/rev	cc/rev	lbs
	Multiply by	25.4	14.5	16.39	2.31	3.785	2.205

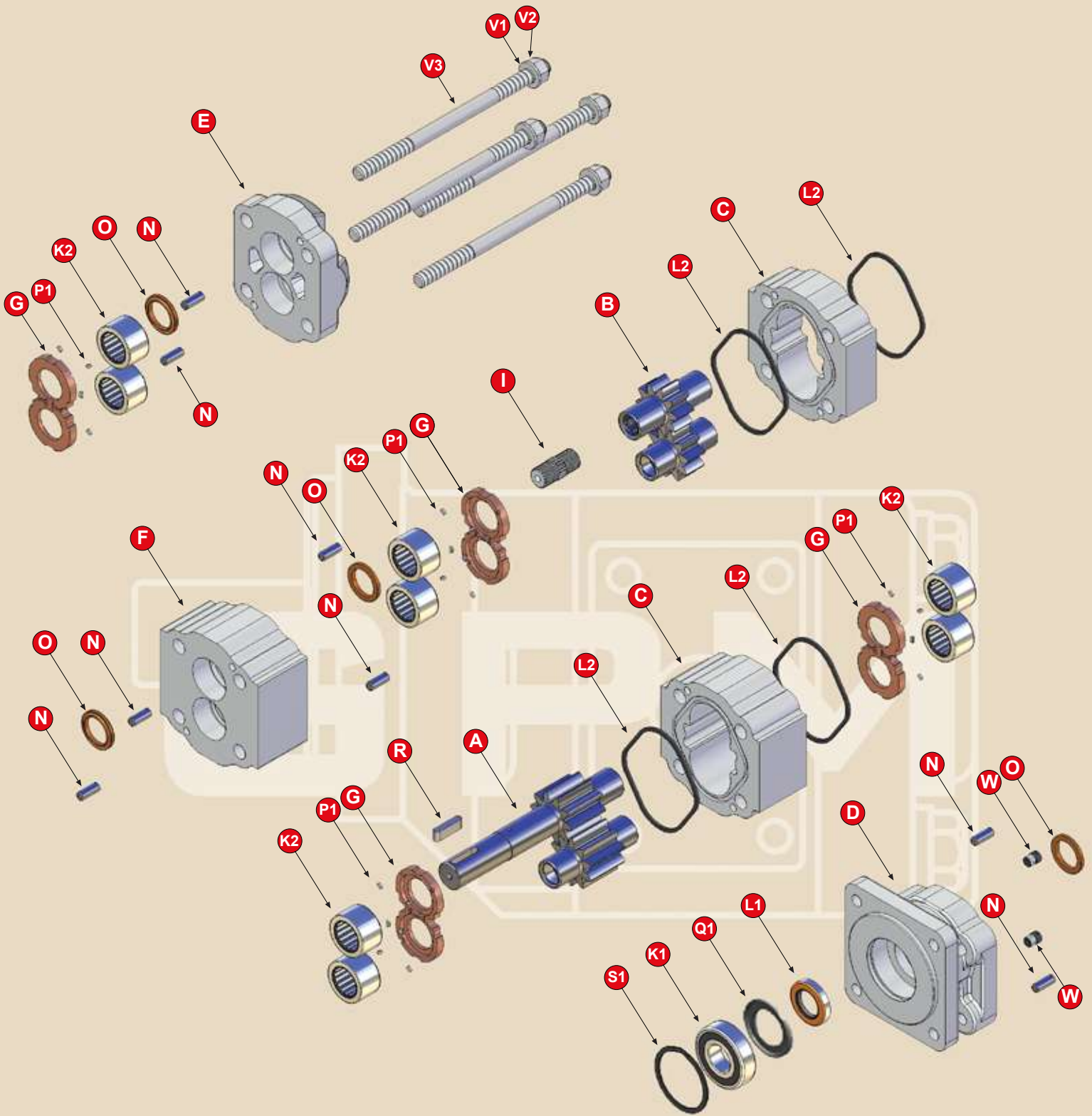
GP = PUMP
GM = MOTOR
GF = FLOW DIVIDER
GA = ADD ON
GB = STEP DOWN
GZ = PUMP / MOTOR COMBO

		120	125	131	151	176
K BEARINGS/BUSHES						
NEEDLE ROLLER	K2	KY-131	KS-151	KY-131	KS-151	KR-176
SHAFT BALL BEARING	K1	KX-131-40	KX-125-8	KX-131-40	KX-151-58	KX-176-59
L SEALS						
BODY SEALS	L2	LUB-120-239	LUB-151-244	LUB-131-242	LUB-151-244	LUB-176-252
PUMP SEAL STANDARD	L1	LX-131-16	LX-125-13	LX-131-16	LX-151-17	LX-176-10
MOTOR SEAL STANDARD		LX-131-9	LX-125-3	LX-131-9	LX-151-8	LX-176-1
PUMP SEAL LOOSE SHAFT	L3	LX-131-18		LX-131-18		
MOTOR SEAL LOOSE SHAFT		LX-131-11		LX-131-11		
PUMP SEAL VITON		LX-131V-16	LX-125V-13	LX-131V-16	LX-151V-17	LX-176V-10
M RETAINERS						
SEAL RETAINER MOTOR			MAV-125			MRA-176
SEAL RETAINER PUMP			MGA-125			MRA-176
RETAINER NUT PUMP			MW-125			
RETAINER NUT MOTOR			MLA-125			
N DOWELS						
STANDARD				NDOWEL-131	NDOWEL-131	NDOWEL-176
O BRONZE PRESSURE RING						
RING SEAL		OLB-131-1		OLB-131-1	ONB-151-1	OWB-176-1
SHAFT BUSH			OAH-125			
CONNECTING SHAFT BUSH			OAR-125			
P O-RINGS/POCKET SEALS						
RETAINER O-RING	P2		PL-125-26			PL-176-164
POCKET SEAL	P1	PBA-131-2	PBA-131-2	PBA-131-2	PBA-131-2	PBA-176-3
STEP DOWN				PL-PB131/131-30		PL-PB176/131-159
Q SPACERS						
SEAL SPACER	Q1	QAE-131	QSA-125	QAE-131	QAC-151	
INTERNAL SPACER			QTA-125-?		QVB-151-1	
BEARING SPACER		QVB-131-2	QGB-125	QVB-131-2	QVB/AC-151	QVB-176
SHAFT SPACER	Q2	QTB-131	QDB-125	QTB-131		QAF-176
STEP DOWN				QAK131/131		QAL176/131
R KEYS						
SELECT AS PER KEY SHAFT		RX-??	RX-??	RX-??	RX-??	RX-??
S SNAP RINGS/CIRCLIPS						
SHAFT	S2	SX-131-100	SX-125-13	SX-131-100	SX-151-125	SX-176-137
SHAFT END COVER	S1	SX-131-206		SX-131-206	SX-151-283	SX-176-315
V FASTENERS						
BOLTS		VBOLT 9/16" X ?	VBOLT 5/8" X ?	VBOLT 5/8" X ?	VBOLT 5/8" X ?	VBOLT 5/8" X ?
NUTS	V2	VNUT 9/16"	VNUT 5/8"	VNUT 5/8"	VNUT 5/8"	VNUT 5/8"
WASHERS	V1	VWASHER 9/16"	VWASHER 5/8"	VWASHER 5/8"	VWASHER 5/8"	VWASHER 5/8"
STUDS 06"-11"	V3	VSTUD 9/16"X6-11	VSTUD 5/8"X6-11	VSTUD 5/8"X6-11	VSTUD 5/8"X6-11	VSTUD 5/8"X6-11
STUDS 11"-16"	V3	VSTUD 9/16"X11-16	VSTUD 5/8"X11-16	VSTUD 5/8"X11-16	VSTUD 5/8"X11-16	VSTUD 5/8"X11-16
STUDS 16"-21"	V3	VSTUD 9/16"X16-21	VSTUD 5/8"X16-21	VSTUD 5/8"X16-21	VSTUD 5/8"X16-21	VSTUD 5/8"X16-21
STUDS 21"-26"	V3	VSTUD 9/16"X21-26	VSTUD 5/8"X21-26	VSTUD 5/8"X21-26	VSTUD 5/8"X21-26	VSTUD 5/8"X21-26
<i>ALL STUDS HAVE EXTENDED THREAD ON ONE SIDE AND CAN BE CUT SHORTER TO REQUIRED SIZE • SUBSTITUE ?? WITH BOLT DIMENSIONS</i>						
W SMALL PARTS						
PLUG DRAIN		WX-131-11	WX-131-11	WX-131-11	WX-131-11	WX-131-11
PLUG SHAFT END COVER		WT-131-1391	WT-131-1391	WT-131-1391	WT-131-1391	WT-131-1391
CHECK VALVES		WM-131-1391	WM-131-1391	WM-131-1391	WM-131-1391	WM-131-1391

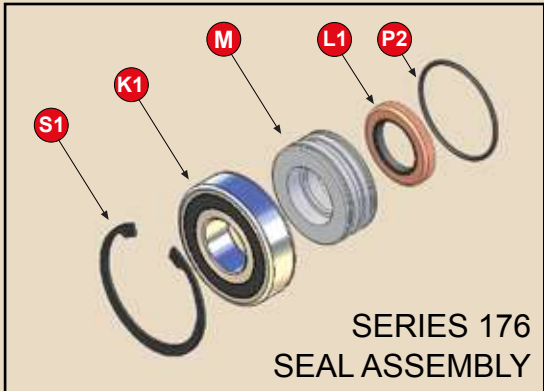
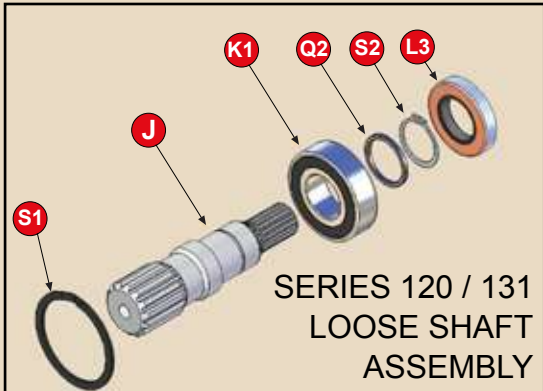
Bearing Pump Tandem Options:

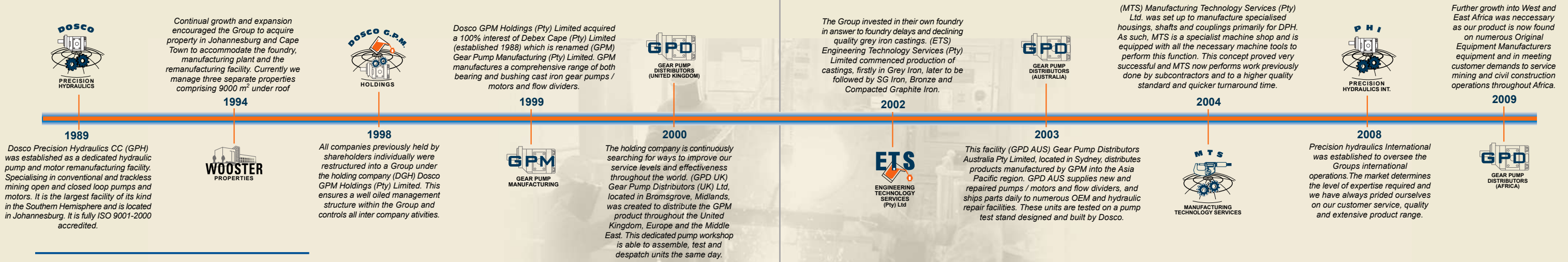


	120	125	131	151	176
A SOLID SHAFT GEAR SET					
7/8" KEY SAE B	ADD-131-??		ADD-131-??		
1" KEY SAE BB	AED-131-??		AED-131-??	ATD-151-??	
1 1/4" KEY SAE C				ASD-151-??	AAL-176-??
13 SPLINE 7/8" SAE B	ABD-131-??		ABD-131-??	AVD-151-??	
13 SPLINE 7/8" SHORT SAE B	ABD-131-4-??		ABD-131-4-??	AVD-151-4-??	
14 SPLINE 1 1/4" SAE C				APD-151-??	ANE-176-??
14 SPLINE 1 1/4" SHORT SAE C				APD-151-4-??	
15 SPLINE 1" SAE BB	AAU-131-??		AAU-131-??	AAT-151-??	
**PLEASE CONTACT GPM FOR SPECIALS • SUBSTITUTE ?? WITH CORRECT GEAR SIZE CODE					
B LOOSE GEAR SETS					
STANDARD	BV-131-??	BKA-125-??	BV-131-??	BMA-151-??	BPA-176-??
**ALSO MAKE SERIES 115 = BBA-115-?? • **ALSO MAKE SERIES 137 = BJA-137-?? • SUBSTITUTE ?? WITH CORRECT GEAR SIZE CODE					
C GEAR HOUSINGS					
PUMP	CRD-120-??	CMA-151-??	CRA-131-??	CMA-151-??	CSA-176-??
MOTOR	CRD-120-??	CMA-151-??	CRA-131-??	CMA-151-??	CSA-176-??
PUMP - BI ROTATION					
SUBSTITUTE ?? WITH CORRECT GEAR SIZE CODE					
D SHAFT END COVERS					
4 BOLT ROUND		DCB-125-3			
6 BOLT ROUND	DFD-120	DCB-125	DFB-131		
2 BOLT 3.25" SAE A	DWD-120		DWB-131		
2 BOLT 4" SAE B	DGD-120	DUA-125	DGB-131	DRB-151	
2 BOLT 4" SAE B SHORT	DGD-120-SH				
2 BOLT 5" SAE C		DYA-125		DNB-151	DVB-176
4 BOLT 4" SAE B	DED-120	DTA-125	DEB-131	DHB-151	DSB-176
4 BOLT 5" SAE C		DXA-125	DPB-131	DKB-151	DTB-176
4 BOLT 6" SAE D					DUB-176
2/4 BOLT 4" SAE B	DDB-120			DDB-151	
2/4 BOLT 4" SAE B SHORT				DDB-151-SH	
STEP DOWN			DDC-131/131		DPB-176/131
PAD MOUNT PUMP		DSA-125		DMB-151	
4 BOLT 2.75"	DCD-120				
E PORT END COVERS					
STANDARD	EXD-120	EZA-151	EXA-131	EZA-151	EYA-176
PORTED 4 PORT			EXA-131-4	EZA-151-4	
BI-ROTATION				EG-151-BI	
STEP DOWN STD			EDC-131-24	EPB-151/131	EPB-176/131
F BEARING CARRIERS					
STANDARD	FVD-120	FKB-125	FVA-131	FTA-151	FZA-176
STANDARD WITH NPT DRAIN			FVA-131-11	FTA-151-11	FZA-176-11
G THRUST PLATES					
PUMP	GAA-131	GY-151	GAA-131	GY-151	GBA-176
DRY VALVE BI ROTATION					GBA-176-BI
DRY VALVE UNI ROTATION					GBA-176-UNI
I CONNECTING SHAFTS					
STANDARD	IZA-131	ITA-125	IZA-131	IYA-151	IAB-176
STEP DOWN			IAF-131/131	IAD-151/131	IAH-176/131
J LOOSE SHAFTS					
3/4" KEY	JAV-131		JAV-131		
7/8" KEY	JAK-131	JWB-125	JAK-131	JAB-151	
7/8" KEY WITH EXT THREAD	JAX-131		JAX-131		
1" KEY	JED-131	JHB-125	JED-131	JAE-151	
1 1/8" KEY	JMT-131		JMT-131	JGT-151	
1 1/4" KEY	JAW-131	JRB-125	JAW-131	JAF-151	JAL-176
1 1/4" KEY LONG					JAL-176-L
1 3/4" KEY				JUC-176	
CAT 910 TAPER W/RUFF	JCA-131		JCA-131		
6 SPLINE 1"	JAM-131	JHC-125	JAM-131	JAN-151	
6 SPLINE 1 1/4"				JSX-151	
9 SPLINE 5/8"	JAI-131		JAI-131		
11 SPLINE	JDV-131		JDV-131		
13 SPLINE 7/8"	JAJ-131	JVB-125	JAJ-131	JAD-151	
13 SPLINE 7/8" SHORT	JAJ-131-SH		JAJ-131-SH		
13 SPLINE 1 3/4"					JAS-176-SHD
14 SPLINE 1 1/4"	JAH-131	JPB-125	JAH-131	JAG-151	JAS-176
14 SPLINE 1 1/4" LONG				JAG-151-L	JAS-176-L
15 SPLINE 1"	JAU-131		JAU-131	JAT-151	



**REFER TO
QUICK
REFERENCE
CHART
FOR
VARIOUS
OPTIONS
AVAILABLE.**





Group Synergy

We believe that a group of companies only makes any sense when the Group as a whole amounts to more than the sum of its individual components or entities. We are involved in hydraulic pumps and motors only, we have a focused foundry operation, a unique manufacturing facility, a world-class remanufacturing facility and distribution centres with reputations for excellence in customer service.



GEAR PUMP MANUFACTURING

Gear Pump Manufacturing (Pty) Ltd. is a wholly owned subsidiary of Dosco GPM Holdings Group. The Dosco GPM Group specialises in the manufacture and repair of hydraulic pumps and motors. GPM is located in Cape Town, South Africa and has been involved in the manufacture and assembly of SAE mounted cast iron pumps and components since 1985.



Approximately 70% of our production is exported to countries in North and South America, Europe, the Middle East, South East Asia, Africa and Australasia.

As a consequence of our reinvestment philosophy and policy, we have been successful in doubling our sales and production capacity during the last three years.

Technology Investments

Our plant modernisation programme is ongoing. Within the last year we increased our CNC milling capacity by a third and doubled both our CNC turning and thrust plate CNC milling capacities through the purchase of additional machinery.

Inventory

Our inventory philosophy remains unchanged and we continue to maintain substantial investments in inventory both at our Cape Town plant as well as at various distribution centres worldwide.



Foundry

The Group's in-house foundry, Engineering Technology Services (Pty) Limited, is also located in Cape Town. Expansion has mirrored that of GPM. Physically, the facility has been expanded by more than 50% in order to cater for increased volumes. Currently the foundry produces Grey Iron, SG Iron and Compacted Graphite Iron. In the interests of the environment and to further contain costs, we invested in a swarf pelletising machine. Consequently, a large portion of the foundry raw material is obtained by pelletising iron and steel swarf and off cuts from the GPM facility. Bronze castings for the machining of thrust plates are produced in a similar fashion. Reclaimed machining coolants and cutting oils are recycled.



Porting & Pump Assemblies

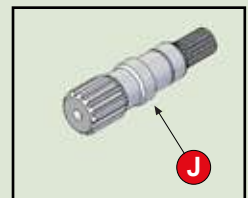
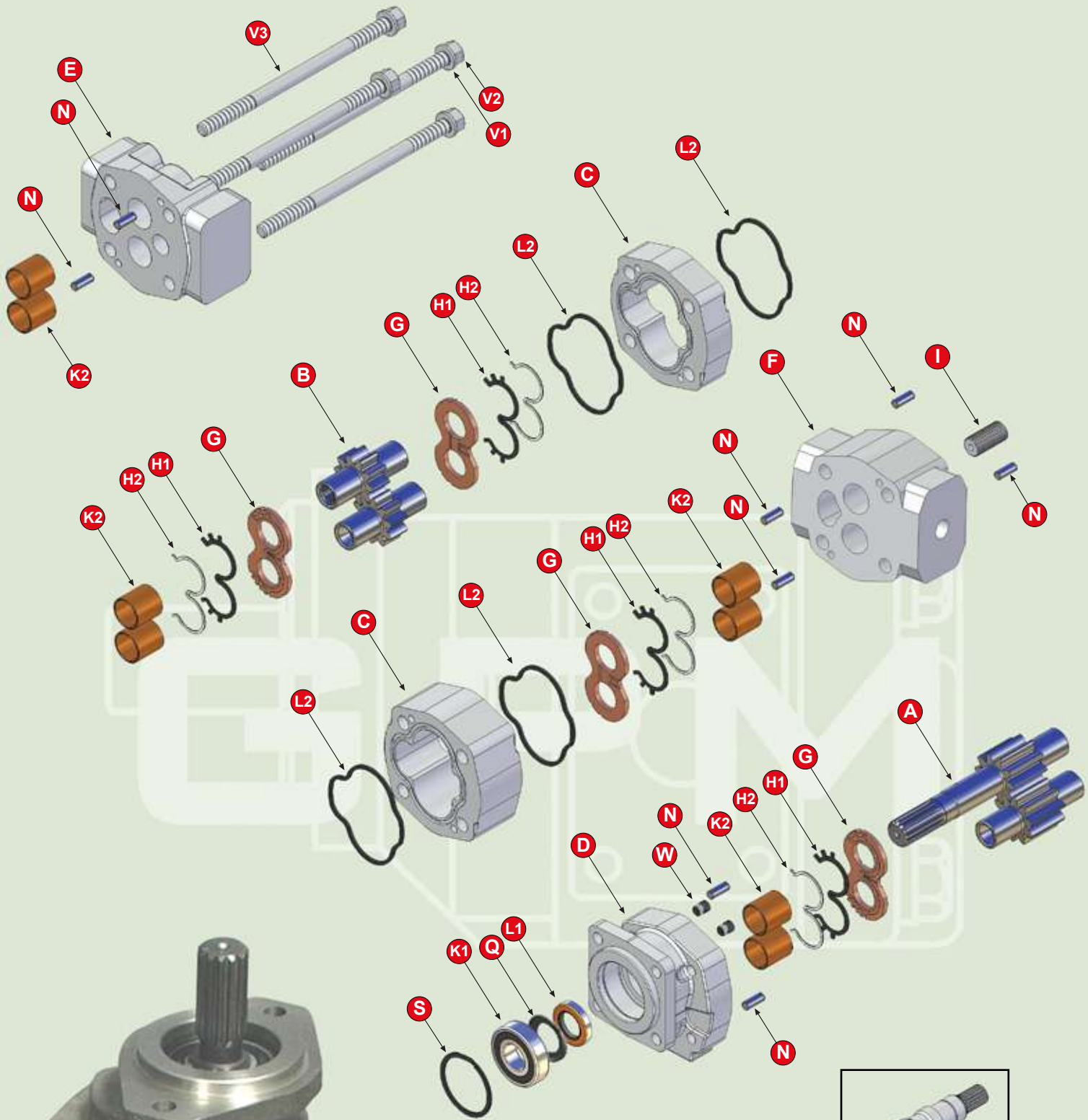
We have porting capabilities to suit the needs of all our customers. Our volumes of pump assemblies have more than quadrupled during the last two years. This necessitated the construction of a new and substantially larger pump assembly area as well as new and upgraded test stands. All assemblies are tested on computerised test stands which have multiple flow, pressure, temperature and speed testing capability.



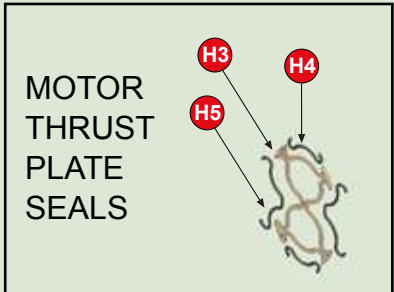
Quality Assurance

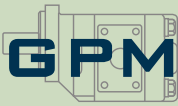
We have been accredited in accordance with the ISO 9001-2000 standard since 1992. Our quality management system makes use of statistical analyses to determine manufacturing process capability. The stability of manufacturing processes is continuously monitored and managed via machine run charts.

In line with our technology investment philosophy, we have recently invested in a 3 dimensional co-ordinate measurement machine. This will increase productivity by means of faster first-off measurement as well as enabling expanded statistical sampling checks.



REFER TO QUICK REFERENCE CHART FOR VARIOUS OPTIONS AVAILABLE.





BUSHING RANGE - Quick Reference

	215	230	250	265
A SOLID SHAFT GEAR SET				
7/8" KEY SAE B		ADC-230-??		
7/8" KEY SHORT SAE B	ADK-215-??			
1" KEY SAE BB		AEC-230-??	ATF-250-??	
1 1/4" KEY SAE C			ASF-250-??	AAG-265-??
9 SPLINE 5/8" SHORT SAE A	AZK-215-??			
13 SPLINE 7/8" SAE B		ABC-230-??	AVF-250-??	ABG-265-??
13 SPLINE 7/8" SHORT SAE B	ABK-215-??	ABC-230-4-??		
14 SPLINE 1 1/4" SAE C			APF-250-??	ANG-265-??
15 SPLINE 1" SAE BB		AAC-230-??	AAF-250-??	
**PLEASE CONTACT GPM FOR SPECIALS • SUBSTITUTE ?? WITH CORRECT GEAR SIZE CODE				
B LOOSE GEAR SETS				
STANDARD	BVK-215-??	BVC-230-??	BMF-250-??	BPG-265-??
**ALSO MAKE SERIES 115 = BBA-115-?? • **ALSO MAKE SERIES 137 = BJA-137-?? • SUBSTITUTE ?? WITH CORRECT GEAR SIZE CODE				
C GEAR HOUSINGS				
PUMP	CRK-215-??	CRC-230-??	CMH-250-??	CSG-265-??
MOTOR	CLK-215-??	CSC-230-??	CLF-250-??	CLG-265-??
PUMP - BI ROTATION				
SUBSTITUTE ?? WITH CORRECT GEAR SIZE CODE				
D SHAFT END COVERS				
2 BOLT 3.25" SAE A	DWK-215			
2 BOLT 3.25" SAE A WITH S/RETAINER	DWK-215-SPL			
2 BOLT 3.25" SAE A MOTOR	DWK-215-M			
2 BOLT 4" SAE B	DGK-215	DGC-230	DRF-250	DRG-265
2 BOLT 4" SAE B MOTOR	DGK-215-M			DRG-265-M
2 BOLT 4" SAE B SHORT		DGC-230-SH		
2 BOLT 5" SAE C		DNC-230	DNF-250	DVG-265
2 BOLT 5" SAE C MOTOR				DVG-265-M
4 BOLT 4" SAE B	DEK-215	DEC-230	DHF-250	DSG-265
4 BOLT 4" SAE B MOTOR				DSG-265-M
4 BOLT 5" SAE C		DPC-230	DKF-250	DTG-265
4 BOLT 5" SAE C MOTOR				DTG-265-M
4 BOLT DIN PTO			DZF-250	
2/4 BOLT 4" SAE B			DDB-250-4	
2/4 BOLT 5" SAE C			DDB-250-5	
PAD MOUNT MOTOR	DFK-215-M			
E PORT END COVERS				
PORTED	EUK-215	EUC-230	EWF-250	EWG-265
PORTED 4 PORT	EUK-215-4	EUC-230-4	EWF-250-4	
TANDEM	EXK-215	EXC-230	EZF-250	EYG-265
MOTOR	EUK-215-M	EUC-230-M	EUF-250-M	EWG-265-M
MOTOR TANDEM				EYG-265-M
FAN MOTOR	EPK-215-M			
STEP DOWN CW		EPB-230/215 CW	EPB-250/215 CW	EPB-265/230 CW
STEP DOWN CCW		EPB-230/215 CCW	EPB-250/215 CCW	EPB-265/230 CCW
ADD ON 2 BOLT A CW			EAAP250 2bA CW	EAAP265 2bA CW
ADD ON 2 BOLT A CCW			EAAP250 2bA CCW	EAAP265 2bA CCW
ADD ON 2 BOLT B CW			EAAP250 2bB CW	EAAP265 2bB CW
ADD ON 2 BOLT B CCW			EAAP250 2bB CCW	EAAP265 2bB CCW
F BEARING CARRIERS				
1 OUTLET	FYK-215-1	FWC-230-1	FTF-250-1	FZG-265-1
2 OUTLET	FYK-215-2	FWC-230-2	FTF-250-2	FZG-265-2
MOTOR	FYK-215-M	FWC-230-M	FTF-250-M	FZG-265-M
3" SUCTION				FZG-265-3
G THRUST PLATES				
PUMP	GCI-215	GCI-230	GCI-250	GCI-265
MOTOR	GM-215	GM-230	GM-250	GM-265
H THRUST PLATE SEALS				
PUMP CHANNEL SEAL H1	HCI-215-CS	HCI-230-CS	HCI-250-CS	HCI-265-CS
PUMP CHANNEL SEAL BACKUP H2	HCI-215-CSBU	HCI-230-CSBU	HCI-250-CSBU	HCI-265-CSBU
MOTOR SEAL BACKUP H3	HM-215-MSBU	HM-230-MSBU	HM-250-MSBU	HM-265-MSBU
MOTOR END SEAL H4	HM-215-MES	HM-230-MES	HM-250-MES	HM-265-MES
MOTOR SIDE SEAL H5	HM-215-MSS	HM-230-MSS	HM-250-MSS	HM-265-MSS
I CONNECTING SHAFTS				
STANDARD	IZK-215	IZC-230	IYF-250	IAG-265
STEP DOWN		IPB-230/215	IPB-250/215	IPB-265/230
ADD ON TO 9 SPLINE			IAAP-250/9SPL	IAAP-265/9SPL
ADD ON TO 13 SPLINE			IAAP-250/13SPL	IAAP-265/13SPL
ADD ON TO 15SPLINE				IAAP-265/15SPL

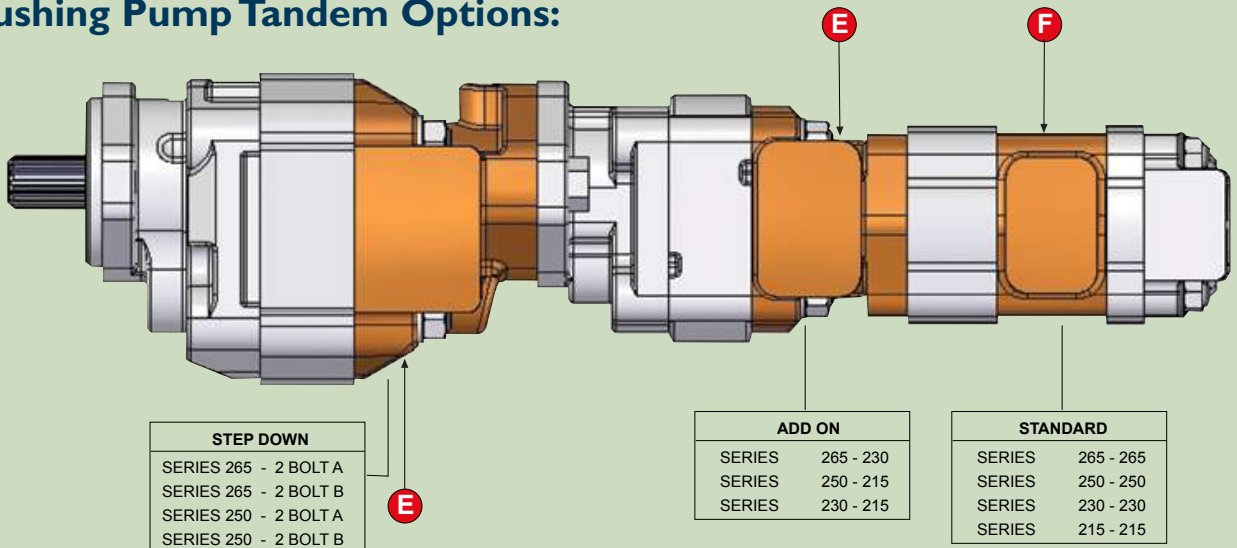


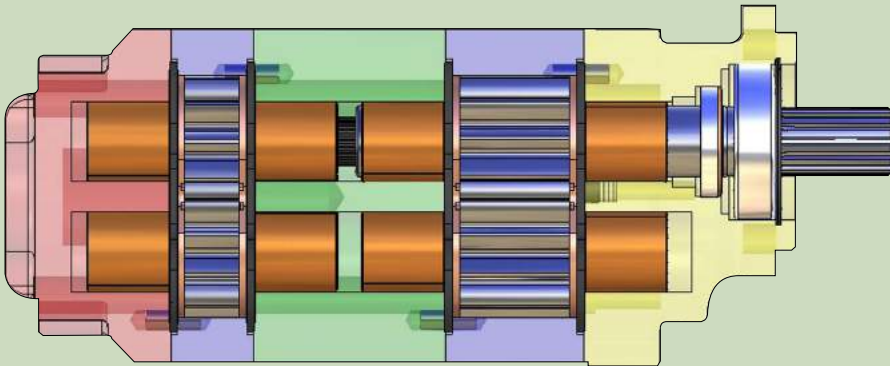
All product listed herein is product manufactured and/or supplied by Gear Pump Manufacturing (Pty) Limited ("GPM"), a South African manufacturer and supplier of replacement parts and components.
 "Commercial Intertech" is a registered trademark or copyright of the Parker Hannifin Corporation ("Parker"). Any reference to this entity, its trademark, copyright, product or reference number, is for product comparison and reference purposes only and as such, any referral thereto should not be construed as implying in any way that Parker product is manufactured or supplied by GPM or that GPM is in any way associated with Parker."

		215	230	250	265
J LOOSE SHAFTS					
7/8" KEY			JCK-230		
1" KEY		JGD-215	JCD-230		
1 1/8" KEY			JHH-230	JHH-250	
1 1/4" KEY			JCW-230		
14 SPLINE 1 1/4"			JCH-230		
15 SPLINE 1"				JFG-250	
17 SPLINE					JKG-265
K BEARINGS/BUSHES					
BUSHES	K2	KBUSH-215	KBUSH-230	KBUSH-250	KBUSH-265
SHAFT BALL BEARING	K1	KX-131-40	KX-151-58	KX-176-59	
ADD ON			KAAP-250/265	KAAP-250/265	
L SEALS					
BODY SEALS	L2	LUB-215-239	LUB-131-242	LUB-250-244	LUB-265-250
MOTOR BODY SEAL		LUB-215-239M			
PUMP SEAL STANDARD	L1	LX-215	LX-131-16	LX-151-17	LX-176-10
MOTOR SEAL STANDARD		LX-215-M	LX-131-9	LX-151-8	LX-176-1
PUMP SEAL TELLTALE				LPA-250-TT	
PUMP SEAL LOOSE SHAFT			LX-131-18		
MOTOR SEAL LOOSE SHAFT			LX-131-11		
PUMP SEAL VITON			LX-131V-16	LX-151V-17	LX-176V-10
M RETAINERS					
SEAL RETAINER TELLTALE			MNA-230-1	MPA-250	MTT-265
N DOWELS					
STANDARD		NDOWEL-215	NDOWEL-131	NDOWEL-131	NDOWEL-265
MOTOR					NDOWEL-265M
Q SPACER					
SEAL SPACER		QAE-215	QAE-131	QAC-151	
BEARING SPACER			QVB-131-2	QVB/AC-151	QVB-176
SHAFT SPACER			QTB-131		QAF-176
R KEYS					
SELECT AS PER KEY SHAFT		RX-??	RX-??	RX-??	RX-??
S SNAP RINGS/CIRCLIPS					
SHAFT			SX-131-100	SX-151-125	SX-176-137
SHAFT END COVER		SX-215	SX-131-206	SX-151-283	SX-176-315
ADD ON				SAAP250/265	SAAP250/265
V FASTENERS					
BOLTS		VBOLT 1/2" X ?	VBOLT 5/8" X ?	VBOLT 5/8" X ?	VBOLT 5/8" X ?
NUTS	V2	VNUT 1/2"	VNUT 5/8"	VNUT 5/8"	VNUT 5/8"
WASHERS	V1	VWASHER 1/2"	VWASHER 5/8"	VWASHER 5/8"	VWASHER 5/8"
STUDS 06"-11"	V3	VSTUD 1/2"X6-11	VSTUD 5/8"X6-11	VSTUD 5/8"X6-11	VSTUD 5/8"X6-11
STUDS 11"-16"	V3	VSTUD 1/2"X11-16	VSTUD 5/8"X11-16	VSTUD 5/8"X11-16	VSTUD 5/8"X11-16
STUDS 16"-21"	V3	VSTUD 1/2"X16-21	VSTUD 5/8"X16-21	VSTUD 5/8"X16-21	VSTUD 5/8"X16-21
STUDS 21"-26"	V3	VSTUD 1/2"X21-26	VSTUD 5/8"X21-26	VSTUD 5/8"X21-26	VSTUD 5/8"X21-
W SMALL PARTS					
PLUG DRAIN		WX-131-11	WX-131-11	WX-131-11	WX-131-11
PLUG SHAFT END COVER		WT-131-1391	WT-131-1391	WT-131-1391	WT-131-1391
CHECK VALVES		WM-131-1391	WM-131-1391	WM-131-1391	WM-131-1391

ALL STUDS HAVE EXTENDED THREAD ON ONE SIDE AND CAN BE CUT SHORTER TO REQUIRED SIZE

Bushing Pump Tandem Options:





Pump & Motor Specifications

CODE

Manufactured in South Africa

DASH SIZE GEAR WIDTH	-05 0.50"(1/2")	-07 0.75"(3/4")	-10 1.00"(1")	-12 1.25"(1 1/4")	-15 1.50"(1 1/2")	-17 1.75"(1 3/4")	-20 2.00"(2")	-22 2.25"(2 1/4")	-25 2.50"(2 1/2")
215									
Gear Housing Width	0.88"(7/8")	1.13"(11/8")	1.38"(13/8")	1.63"(15/8")	1.88"(17/8")	2.13"(21/8")	2.38"(23/8")		
cc/rev	10.00	15.00	20.00	25.00	30.00	35.00	40.00		
Lpm (at 1000rpm)	10.00	15.00	20.00	25.00	30.00	35.00	40.00		
cu in (cu in/rev)	0.61	0.92	1.22	1.53	1.84	2.15	2.44		
US gpm (at 1000rpm)	4.23	6.37	8.51	10.65	12.76	14.90	17.04		
Max Pressure(bar)	240	240	240	240	220	200	170		
Max Pressure(psi)	3500	3500	3500	3500	3200	2900	2500		
Max Speed (rpm)	3000	3000	3000	3000	3000	3000	3000		
Pump Weight (kg)	8.00	8.00	8.00	8.50	9.00	9.50	10.00		
Additional sect add (kg)	8.00	8.00	8.00	8.50	9.00	9.50	10.00		
230									
Gear Housing Width	1.00"(1")	1.25"(1 1/4")	1.50"(1 1/2")	1.75"(1 3/4")	2.00"(2")	2.25"(2 1/4")	2.50"(2 1/2")		
cc/rev	16.00	24.10	32.20	40.30	48.30	56.40	64.50		
Lpm (at 1000rpm)	16.00	24.10	32.20	40.30	48.30	56.40	64.50		
cu in (cu in/rev)	0.99	1.48	1.97	2.46	2.96	3.45	3.94		
US gpm (at 1000rpm)	4.23	6.37	8.51	10.65	12.76	14.90	17.04		
Max Pressure(bar)	240	240	240	240	240	220	200		
Max Pressure(psi)	3500	3500	3500	3500	3500	3250	3000		
Max Speed (rpm)	3000	3000	3000	3000	3000	3000	3000		
Pump Weight (kg)	16.00	16.00	16.00	16.60	17.20	17.80	18.40		
Additional sect add (kg)	14.40	14.40	14.40	14.90	15.50	16.00	16.60		
250									
Gear Housing Width	1.00"(1")	1.25"(1 1/4")	1.50"(1 1/2")	1.75"(1 3/4")	2.00"(2")	2.25"(2 1/4")	2.50"(2 1/2")	2.75"(2 3/4")	3.00"(3")
cc/rev	20.80	31.20	41.70	52.10	62.60	73.00	83.50	94.00	104.40
Lpm (at 1000rpm)	20.80	31.20	41.70	52.10	62.60	73.00	83.50	94.00	104.40
cu in (cu in/rev)	1.28	1.91	2.55	3.19	3.82	4.46	5.10	5.74	6.38
US gpm (at 1000rpm)	5.50	8.24	11.02	13.76	16.54	19.29	22.06	24.84	27.58
Max Pressure(bar)	240	240	240	240	240	220	200	190	170
Max Pressure(psi)	3500	3500	3500	3500	3500	3250	3000	2750	2500
Max Speed (rpm)	2400	2400	2400	2400	2400	2400	2400	2400	2400
Pump Weight (kg)	22.70	22.70	22.70	23.40	24.10	24.80	25.50	26.20	26.90
Additional sect add (kg)	22.70	22.70	22.70	23.40	24.10	24.80	25.50	26.20	26.90
265									
Gear Housing Width		1.25"(1 1/4")	1.50"(1 1/2")	1.75"(1 3/4")	2.00"(2")	2.25"(2 1/4")	2.50"(2 1/2")	2.75"(2 3/4")	3.00"(3")
cc/rev		44.00	59.00	73.50	88.00	102.00	118.00	132.60	147.00
Lpm (at 1000rpm)		44.00	59.00	73.50	88.00	102.00	118.00	132.60	147.00
cu in (cu in/rev)		2.68	3.60	4.49	5.37	6.22	7.20	8.09	8.97
US gpm (at 1000rpm)		11.62	15.59	19.42	23.25	26.95	31.18	35.03	38.84
Max Pressure(bar)		240	240	240	240	240	240	220	200
Max Pressure(psi)		3500	3500	3500	3500	3500	3500	3250	3000
Max Speed (rpm)		2400	2400	2400	2400	2400	2400	2400	2400
Pump Weight (kg)		24.90	24.90	26.00	27.10	28.20	29.30	30.40	31.50
Additional sect add (kg)		22.70	22.70	23.40	24.10	24.80	25.50	26.20	26.90

THE ABOVE DATA ARE AVERAGE RESULTS BASED ON A SERIES OF TESTS AND ARE NOT NECESSARILY REPRESENTATIVE OF ANY SINGLE UNIT. GEAR PUMP MANUFACTURING RESERVES THE RIGHT TO AMEND THE TECHNICAL DATA WITHOUT NOTICE.

Useful Formulae	To Convert	Inches	Bar	Cu In/rev	US GPM	US GPM	kg
	Into	Millimeters	Psi	cc/rev	Cu In/rev	cc/rev	lbs
	Multiply by	25.4	14.5	16.39	2.31	3.785	2.205

- GP = PUMP
- GM = MOTOR
- GF = FLOW DIVIDER
- GA = ADD ON
- GB = STEP DOWN
- GZ = PUMP / MOTOR COMBO



Manufacturing Plant (Cape Town)

Gear Pump Manufacturing (Pty) Ltd.
15 Moody Ave, Epping 1, Cape Town, South Africa
Tel: +27 (0) 21 531 9330
Fax: +27 (0) 21 531 7096
e-mail: sales@gearpumps.co.za
SALES: markf@gearpumps.co.za
TECHNICAL: tonyp@gearpumps.co.za
Website: www.gearpumps.co.za



Remanufacturing Facility (Johannesburg)

Dosco Precision Hydraulics (Pty) Ltd.
No.6 Impangela Road, Sebenza Ext. 6,
Gauteng, South Africa
Tel: +27 (0) 11 452 5843
Fax: +27 (0) 11 609 7955
e-mail: dosco@dosco.co.za
SALES: sales@dosco.co.za
TECHNICAL: gerald@dosco.co.za
Website: www.dosco.co.za



Distributor (Sydney)

Gear Pump Distributors Australia Pty Limited.
Unit 1, 8 Prince William Drive, Seven Hills, 2147, N.S.W. Australia.
Tel: +61 (0) 2 9674 2298 / 2067
Fax: +61 (0) 2 9674 1934
e-mail: mikee@gearpump.com.au
Website: www.gearpump.com.au



Distributor (Birmingham)

Gear Pump Distributors (UK) Ltd
Unit 14, Aston Fields Trading Estate, 18 Sugarbrook Road, Bromsgrove,
Worcestershire B60 3DW
Tel: +44 (0) 1527 880 396
Fax: +44 (0) 1527 880 397
e-mail: stevek@gearpumps.co.uk / lenj@gearpumps.co.uk
Website: www.gearpumps.co.uk



Manufactured in South Africa



Member of the Fluid Power Institute