



**HYNESUR**

SUMINISTROS DE HIDRÁULICA Y NEUMÁTICA DEL SUR, S.L.

# Bridas SAE

Brides de fixation SAE | SAE Flanges | Flange SAE

## Bridas SAE

Bridas de fixation SAE | SAE Flanges | Flange SAE

### ▶ **Bridas Roscadas** | Brides taraudées | Threaded flanges | Flangia filettate

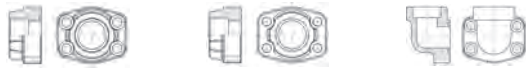


BBRG

BCRG

B90RG

### ▶ **Bridas soldables tubo gas** | Brides à souder pour tube gaz | Welding flanges for gas tube | Flangia a saldare per tubo gas



BBSG

BCSG

B90SG

### ▶ **Bridas soldables tubo métrico** | Brides à souder pour tube métrique | Welding flanges for metric tube | Flangia a saldare per tubo Metrico



BBSM

BCSM

B90SM

### ▶ **Bridas soldables macho** | Brides à souder mâle | Male welding flanges | Flangia a saldare maschio



BMSG

BCMSG

BMSM

BCMSM

BMSLM

BCMSLM

### ▶ **Bridas roscadas macho** | Brides taraudées mâle | Male threaded flanges | Flangia filettate maschio



BMRG

BMRM

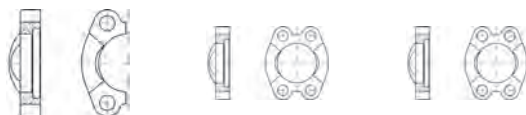
### ▶ **Bridas ciegas** | Brides avec obturateur fermé | Blind flanges | Flangia cieche



BBC

BCC

### ▶ **Bridas para flexibles** | Brides SAE pour flexibles | SAE Flanges for hoses | Flangia SAE per tubi flessibili



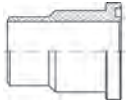
BBP

BBE

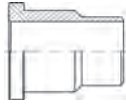
BCE

▶ **Bridas SAE | Brides de fixation SAE | SAE Flanges | Flange SAE**

▶ **Conos soldar | Collets à souder | Welding adaptors for flanges | Ogive a saldare**

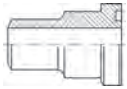


BSM31/61

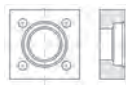


BSM30/60

▶ **Bridas Cetop | Brides Cetop | Cetop flanges | Flangia Cetop**



BCTS

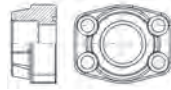


BCT

# Bridas SAE

Brides de fixation SAE  
SAE Flanges  
Flange SAE

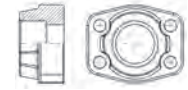
## Brida roscada hembra BSP



Bride taraudée femelle BSP  
BSP Female threaded flange  
Flangia filettata femmina BSP

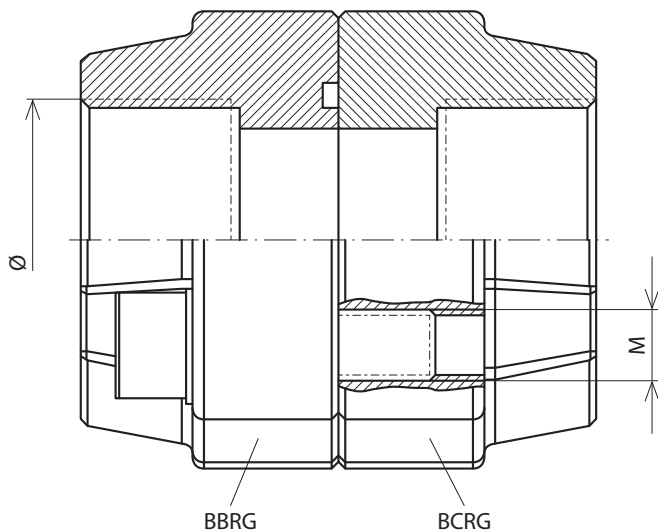
SERIE	ROSCA THREAD	TAMAÑO SIZE	REFERENCIA PART N°
3000 PSI	1/2" BSP	1/2"	<b>BBRG30808</b>
3000 PSI	3/8" BSP	1/2"	<b>BBRG30806</b>
3000 PSI	3/4" BSP	3/4"	<b>BBRG31212</b>
3000 PSI	1/2" BSP	3/4"	<b>BBRG31208</b>
3000 PSI	1" BSP	1"	<b>BBRG31616</b>
3000 PSI	3/4" BSP	1"	<b>BBRG31612</b>
3000 PSI	1"1/4 BSP	1"1/4"	<b>BBRG32020</b>
3000 PSI	1" BSP	1"1/4"	<b>BBRG32016</b>
3000 PSI	1"1/2 BSP	1"1/2"	<b>BBRG32424</b>
3000 PSI	1"1/4 BSP	1"1/2"	<b>BBRG32420</b>
3000 PSI	2" BSP	2"	<b>BBRG33232</b>
3000 PSI	1"1/2 BSP	2"	<b>BBRG33224</b>
3000 PSI	2"1/2 BSP	2"1/2"	<b>BBRG34040</b>
3000 PSI	2"1/2 BSP	2"1/2"	<b>BBRG34848</b>
3000 PSI	2" BSP	2"1/2"	<b>BBRG34032</b>
3000 PSI	2"1/2 BSP	3"	<b>BBRG34840</b>
3000 PSI	3"1/2 BSP	3"1/2"	<b>BBRG35656</b>
3000 PSI	3" BSP	3"1/2"	<b>BBRG35648</b>
3000 PSI	4" BSP	4"	<b>BBRG36464</b>
3000 PSI	3"1/2 BSP	4"	<b>BBRG36456</b>
6000 PSI	1/2" BSP	1/2"	<b>BBRG60808</b>
6000 PSI	3/8" BSP	1/2"	<b>BBRG60806</b>
6000 PSI	3/4" BSP	3/4"	<b>BBRG61212</b>
6000 PSI	1/2" BSP	3/4"	<b>BBRG61208</b>
6000 PSI	1" BSP	1"	<b>BBRG61616</b>
6000 PSI	3/4" BSP	1"	<b>BBRG61612</b>
6000 PSI	1"1/4 BSP	1"1/4"	<b>BBRG62020</b>
6000 PSI	1" BSP	1"1/4"	<b>BBRG62016</b>
6000 PSI	1"1/2 BSP	1"1/2"	<b>BBRG62420</b>
6000 PSI	1"1/2 BSP	1"1/2"	<b>BBRG62424</b>
6000 PSI	2" BSP	2"	<b>BBRG63232</b>
6000 PSI	1"1/2 BSP	2"	<b>BBRG63224</b>

## Contrabrida roscada hembra BSP



Contre-bride taraudée femelle BSP  
BSP Female threaded counter-flange  
Controflangia filettata femmina BSP

SERIE	ROSCA THREAD	TAMAÑO SIZE	REFERENCIA PART N°
3000 PSI	1/2" BSP	1/2"	<b>BCRG30808</b>
3000 PSI	3/8" BSP	1/2"	<b>BCRG30806</b>
3000 PSI	3/4" BSP	3/4"	<b>BCRG31212</b>
3000 PSI	1/2" BSP	3/4"	<b>BCRG31208</b>
3000 PSI	1" BSP	1"	<b>BCRG31616</b>
3000 PSI	3/4" BSP	1"	<b>BCRG31612</b>
3000 PSI	1"1/4 BSP	1"1/4"	<b>BCRG32020</b>
3000 PSI	1" BSP	1"1/4"	<b>BCRG32016</b>
3000 PSI	1"1/2 BSP	1"1/2"	<b>BCRG32424</b>
3000 PSI	1"1/4 BSP	1"1/2"	<b>BCRG32420</b>
3000 PSI	2" BSP	2"	<b>BCRG33232</b>
3000 PSI	1"1/2 BSP	2"	<b>BCRG33224</b>
3000 PSI	2"1/2 BSP	2"1/2"	<b>BCRG34040</b>
3000 PSI	2" BSP	2"1/2"	<b>BCRG34032</b>
3000 PSI	3" BSP	3"	<b>BCRG34848</b>
3000 PSI	2"1/2 BSP	3"	<b>BCRG34840</b>
3000 PSI	3"1/2 BSP	3"1/2"	<b>BCRG35656</b>
3000 PSI	3" BSP	3"1/2"	<b>BCRG35648</b>
3000 PSI	4" BSP	4"	<b>BCRG36464</b>
3000 PSI	3"1/2 BSP	4"	<b>BCRG36456</b>
6000 PSI	1/2" BSP	1/2"	<b>BCRG60808</b>
6000 PSI	3/8" BSP	1/2"	<b>BCRG60806</b>
6000 PSI	3/4" BSP	3/4"	<b>BCRG61212</b>
6000 PSI	1/2" BSP	3/4"	<b>BCRG61208</b>
6000 PSI	1" BSP	1"	<b>BCRG61616</b>
6000 PSI	3/4" BSP	1"	<b>BCRG61612</b>
6000 PSI	1"1/4 BSP	1"1/4"	<b>BCRG62020</b>
6000 PSI	1" BSP	1"1/4"	<b>BCRG62016</b>
6000 PSI	1"1/2 BSP	1"1/2"	<b>BCRG62424</b>
6000 PSI	1"1/4 BSP	1"1/2"	<b>BCRG62420</b>
6000 PSI	2" BSP	2"	<b>BCRG63232</b>
6000 PSI	1"1/2 BSP	2"	<b>BCRG63224</b>



## Brida codo 90° roscada hembra BSP



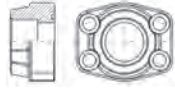
Bride 90° taraudée femelle BSP  
90° BSP female threaded flange  
Flangia a 90° filettata femmina BSP

SERIE	ROSCA THREAD	TAMAÑO SIZE	REFERENCIA PART N°
3000 PSI	1/2" BSP	1/2"	<b>B90RG30808</b>
3000 PSI	3/8" BSP	1/2"	<b>B90RG30806</b>
3000 PSI	3/4" BSP	3/4"	<b>B90RG31212</b>
3000 PSI	1" BSP	1"	<b>B90RG31616</b>
3000 PSI	1"1/4 BSP	1"1/4"	<b>B90RG32020</b>
3000 PSI	1"1/2 BSP	1"1/2"	<b>B90RG32424</b>
3000 PSI	2" BSP	2"	<b>B90RG33232</b>
6000 PSI	1/2" BSP	1/2"	<b>B90RG60808</b>
6000 PSI	3/8" BSP	1/2"	<b>B90RG60806</b>
6000 PSI	3/4" BSP	3/4"	<b>B90RG61212</b>
6000 PSI	1" BSP	1"	<b>B90RG61616</b>
6000 PSI	1"1/4 BSP	1"1/4"	<b>B90RG62020</b>
6000 PSI	1"1/2 BSP	1"1/2"	<b>B90RG62424</b>

## Bridas SAE

Brides de fixation SAE  
 SAE Flanges  
 Flange SAE

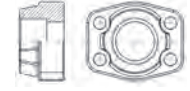
### Brida soldable hembra tubo gas



Bride à souder femelle tube gaz  
 Welding female flange for gas tube  
 Flangia femmina a saldare per tubo gas

SERIE	Ø in	TAMAÑO SIZE	REFERENCIA PART N°
3000 PSI	21.6	1/2"	<b>BBSG308216</b>
3000 PSI	17.5	1/2"	<b>BBSG308175</b>
3000 PSI	27.2	3/4"	<b>BBSG312272</b>
3000 PSI	34	1"	<b>BBSG316340</b>
3000 PSI	42.8	1"1/4	<b>BBSG320428</b>
3000 PSI	48.6	1"1/2	<b>BBSG324486</b>
3000 PSI	61	2"	<b>BBSG332610</b>
3000 PSI	76.6	2"1/2	<b>BBSG340766</b>
3000 PSI	90.5	3"	<b>BBSG348905</b>
3000 PSI	103	3"1/2	<b>BBSG3561030</b>
3000 PSI	115.5	4"	<b>BBSG641155</b>
6000 PSI	21.6	1/2"	<b>BBSG608216</b>
6000 PSI	17.5	1/2"	<b>BBSG608175</b>
6000 PSI	27.2	3/4"	<b>BBSG612272</b>
6000 PSI	34	1"	<b>BBSG621612</b>
6000 PSI	42.8	1"1/4	<b>BBSG620428</b>
6000 PSI	48.6	1"1/2	<b>BBSG624486</b>
6000 PSI	61	2"	<b>BBSG632610</b>

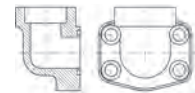
### Contrabrida soldable hembra tubo gas



Contre-bride à souder femelle tube gaz  
 Welding female counter-flange for gas tube  
 Controflangia femmina a saldare per tubo gas

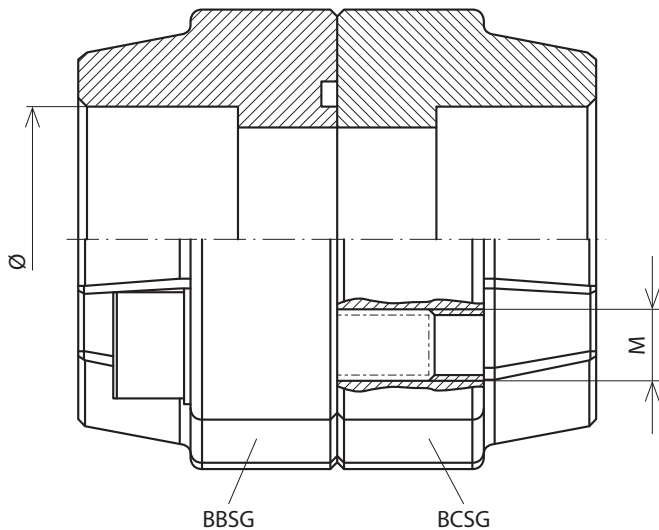
SERIE	Ø in	TAMAÑO SIZE	REFERENCIA PART N°
3000 PSI	21.6	1/2"	<b>BCSG308216</b>
3000 PSI	17.5	1/2"	<b>BCSG308175</b>
3000 PSI	27.2	3/4"	<b>BCSG312272</b>
3000 PSI	34	1"	<b>BCSG316340</b>
3000 PSI	42.8	1"1/4	<b>BCSG320428</b>
3000 PSI	48.6	1"1/2	<b>BCSG324486</b>
3000 PSI	61	2"	<b>BCSG332610</b>
3000 PSI	76.6	2"1/2	<b>BCSG340766</b>
3000 PSI	90.5	3"	<b>BCSG348905</b>
3000 PSI	103	3"1/2	<b>BCSG3561030</b>
3000 PSI	115.5	4"	<b>BCSG3641155</b>
6000 PSI	21.6	1/2"	<b>BCSG608216</b>
6000 PSI	27.2	3/4"	<b>BCSG612272</b>
6000 PSI	34	1"	<b>BCSG616340</b>
6000 PSI	42.8	1"1/4	<b>BCSG620428</b>
6000 PSI	48.6	1"1/2	<b>BCSG624486</b>
6000 PSI	61	2"	<b>BCSG632610</b>

### Brida codo 90° soldable hembra tubo gas



Bride 90° à souder femelle tube gaz  
 90° welding female flange for gas tube  
 Flangia a 90° femmina a saldare per tubo gas

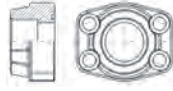
SERIE	Ø in	TAMAÑO SIZE	REFERENCIA PART N°
3000 PSI	21.6	1/2"	<b>B90SG308216</b>
3000 PSI	17.5	1/2"	<b>B90SG308175</b>
3000 PSI	27.2	3/4"	<b>B90SG312272</b>
3000 PSI	34	1"	<b>B90SG316340</b>
3000 PSI	42.8	1"1/4	<b>B90SG320428</b>
3000 PSI	48.6	1"1/2	<b>B90SG324486</b>
3000 PSI	61	2"	<b>B90SG332610</b>
6000 PSI	21.6	1/2"	<b>B90SG608216</b>
6000 PSI	17.5	1/2"	<b>B90SG608175</b>
6000 PSI	27.2	3/4"	<b>B90SG612272</b>
6000 PSI	34	1"	<b>B90SG616340</b>
6000 PSI	42.8	1"1/4	<b>B90SG620428</b>
6000 PSI	48.6	1"1/2	<b>B90SG624486</b>



# Bridas SAE

Brides de fixation SAE  
SAE Flanges  
Flange SAE

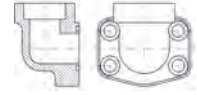
## Brida soldable hembra tubo métrico



Bride à souder femelle tube métrique  
Female welding flange for metric tube  
Flangia femmina a saldare per tubo Metrico

SERIE	Ø in	TAMAÑO SIZE	REFERENCIA PART N°
3000 PSI	20.3	1/2"	<b>BBSM308203</b>
3000 PSI	25.3	3/4"	<b>BBSM312253</b>
3000 PSI	30.3	1"	<b>BBSM316303</b>
3000 PSI	38.3	1"1/4	<b>BBSM320383</b>
3000 PSI	50.5	1"1/2	<b>BBSM324505</b>
6000 PSI	20.3	1/2"	<b>BBSM608203</b>
6000 PSI	25.3	3/4"	<b>BBSM612253</b>
6000 PSI	30.3	1"	<b>BBSM616303</b>
6000 PSI	38.3	1"1/4	<b>BBSM620383</b>
6000 PSI	50.5	1"1/2	<b>BBSM624505</b>

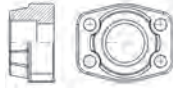
## Brida codo 90° soldable hembra tubo métrico



Bride 90° à souder femelle tube métrique  
90° female welding flange for metric tube  
Flangia a 90° femmina a saldare per tubo Metrico

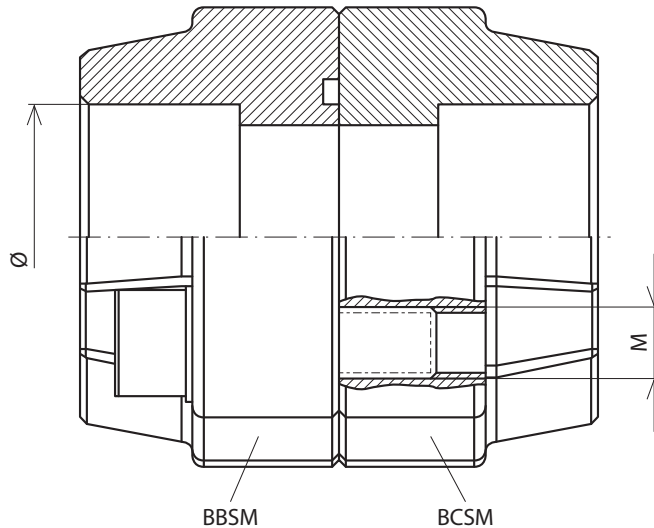
SERIE	Ø in	TAMAÑO SIZE	REFERENCIA PART N°
3000 PSI	20.3	1/2"	<b>B90SM308203</b>
3000 PSI	25.3	3/4"	<b>B90SM312253</b>
3000 PSI	30.3	1"	<b>B90SM316303</b>
3000 PSI	38.3	1"1/4	<b>B90SM320383</b>
3000 PSI	50.5	1"1/2	<b>B90SM324505</b>
6000 PSI	20.3	1/2"	<b>B90SM608203</b>
6000 PSI	25.3	3/4"	<b>B90SM612253</b>
6000 PSI	30.3	1"	<b>B90SM616303</b>
6000 PSI	38.3	1"1/4	<b>B90SM620383</b>
6000 PSI	50.3	1"1/2	<b>B90SM624503</b>

## Contrabrida soldable hembra tubo métrico



Contre-bride à souder femelle tube métrique  
Female welding counter-flange for metric tube  
Controflangia femmina a saldare per tubo Metrico

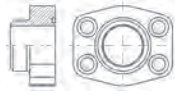
SERIE	Ø in	TAMAÑO SIZE	REFERENCIA PART N°
3000 PSI	20.3	1/2"	<b>BCSM308203</b>
3000 PSI	25.3	3/4"	<b>BCSM312253</b>
3000 PSI	30.3	1"	<b>BCSM316303</b>
3000 PSI	38.3	1"1/4	<b>BCSM320383</b>
6000 PSI	20.3	1/2"	<b>BCSM608203</b>
6000 PSI	25.3	3/4"	<b>BCSM612253</b>
6000 PSI	30.3	1"	<b>BCSM616303</b>
6000 PSI	38.3	1"1/4	<b>BCSM620383</b>
6000 PSI	50.5	1"1/2	<b>BCSM624505</b>



## Bridas SAE

Brides de fixation SAE  
SAE Flanges  
Flange SAE

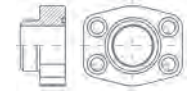
### Brida soldable macho tubo gas



Bride à souder mâle tube gaz  
Male welding flange for gas tube  
Flangia a saldare maschio tubo gas

SERIE	Ø ext Ø outer	TAMAÑO SIZE	REFERENCIA PART N°
3000 PSI	21.5	1/2"	<b>BMSG308215</b>
3000 PSI	17.5	1/2"	<b>BMSG308175</b>
3000 PSI	28	3/4"	<b>BMSG312280</b>
3000 PSI	34	1"	<b>BMSG316340</b>
3000 PSI	42.8	1"1/4	<b>BMSG320428</b>
3000 PSI	48.6	1"1/2	<b>BMSG324486</b>
3000 PSI	61	2"	<b>BMSG332610</b>
3000 PSI	77	2"1/2	<b>BMSG340770</b>
3000 PSI	92	3"	<b>BMSG348920</b>
3000 PSI	103	3"1/2	<b>BMSG356103</b>
6000 PSI	21.5	1/2"	<b>BMSG608215</b>
6000 PSI	17.5	1/2"	<b>BMSG608175</b>
6000 PSI	28	3/4"	<b>BMSG612280</b>
6000 PSI	34	1"	<b>BMSG616340</b>
6000 PSI	42.8	1"1/4	<b>BMSG620428</b>
6000 PSI	48.6	1"1/2	<b>BMSG624486</b>
6000 PSI	61	2"	<b>BMSG632610</b>

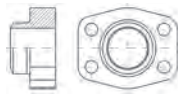
### Brida soldable macho tubo métrico



Bride à souder mâle tube métrique  
Male welding flange for metric tube  
Flangia a saldare maschio tubo Metrico

SERIE	Ø ext Ø outer	TAMAÑO SIZE	REFERENCIA PART N°
3000 PSI	25	3/4"	<b>BMSM31225</b>
3000 PSI	30	1"	<b>BMSM31630</b>
3000 PSI	38	1"1/4	<b>BMSM32038</b>
3000 PSI	42	1"1/2	<b>BMSM32442</b>
3000 PSI	61	2"	<b>BMSM33261</b>
3000 PSI	49	2"	<b>BMSM33249</b>
3000 PSI	77	3"	<b>BMSM34877</b>
3000 PSI	77	3"1/2	<b>BMSM35677</b>
3000 PSI	90	3"1/2	<b>BMSM35690</b>
3000 PSI	77	4"	<b>BMSM36477</b>
3000 PSI	90	4"	<b>BMSM36490</b>
6000 PSI	20	1/2"	<b>BMSM60820</b>
6000 PSI	20	3/4"	<b>BMSM61220</b>
6000 PSI	25	3/4"	<b>BMSM61225</b>
6000 PST	25	1"	<b>BMSM61625</b>
6000 PSI	30	1"	<b>BMSM61630</b>
6000 PSI	38	1"1/4	<b>BMSM62038</b>
6000 PSI	38	1"1/2	<b>BMSM62438</b>
6000 PSI	61	2"	<b>BMSM63261</b>

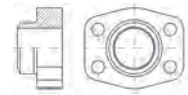
### Contrabrida soldable macho tubo gas



Contre-bride à souder mâle tube gaz  
Male welding counter-flange for gas tube  
Controflangia a saldare maschio tubo gas

SERIE	Ø ext Ø outer	TAMAÑO SIZE	REFERENCIA PART N°
3000 PSI	21.5	1/2"	<b>BCMSG308215</b>
3000 PSI	17.5	1/2"	<b>BCMSG308175</b>
3000 PSI	28	3/4"	<b>BCMSG312280</b>
3000 PSI	34	1"	<b>BCMSG316340</b>
3000 PSI	42.8	1"1/4	<b>BCMSG320428</b>
3000 PSI	48.6	1"1/2	<b>BCMSG324486</b>
3000 PSI	61	2"	<b>BCMSG332610</b>
3000 PSI	77	2"1/2	<b>BCMSG340770</b>
3000 PSI	92	3"	<b>BCMSG348920</b>
3000 PSI	103	3"1/2	<b>BCMSG561030</b>
3000 PSI	115.5	4"	<b>BCMSG3641155</b>
6000 PSI	21.5	1/2"	<b>BCMSG608215</b>
6000 PSI	17.5	1/2"	<b>BCMSG608175</b>
6000 PSI	28	3/4"	<b>BCMSG612280</b>
6000 PSI	34	1"	<b>BCMSG616340</b>
6000 PSI	42.8	1"1/4	<b>BCMSG620428</b>
6000 PSI	48.6	1"1/2	<b>BCMSG624486</b>
6000 PSI	61	2"	<b>BCMSG632610</b>

### Contrabrida soldable macho tubo métrico



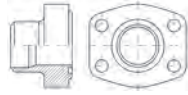
Contre-bride à souder mâle tube métrique  
Male welding counter-flange for metric tube  
Controflangia a saldare maschio tubo Metrico

SERIE	Ø ext Ø outer	TAMAÑO SIZE	REFERENCIA PART N°
3000 PSI	25	3/4"	<b>BCMSM31225</b>
3000 PSI	30	1"	<b>BCMSM31630</b>
3000 PSI	38	1"1/4	<b>BCMSM32038</b>
3000 PSI	42	1"1/2	<b>BCMSM32442</b>
3000 PSI	49	1"1/2	<b>BCMSM32449</b>
3000 PSI	61	2"	<b>BCMSM33261</b>
3000 PSI	49	2"	<b>BCMSM33249</b>
3000 PSI	77	2"1/2	<b>BCMSM34077</b>
3000 PSI	77	3"	<b>BCMSM34877</b>
3000 PSI	77	3"1/2	<b>BCMSM35677</b>
3000 PSI	90	3"1/2	<b>BCMSM35690</b>
3000 PSI	90	4"	<b>BCMSM36490</b>
6000 PSI	20	1/2"	<b>BCMSM60820</b>
6000 PSI	20	3/4"	<b>BCMSM61220</b>
6000 PSI	25	3/4"	<b>BCMSM61225</b>
6000 PSI	25	1"	<b>BCMSM61625</b>
6000 PSI	30	1"	<b>BCMSM61630</b>
6000 PSI	38	1"1/4	<b>BCMSM62038</b>
6000 PSI	38	1"1/2	<b>BCMSM62438</b>
6000 PSI	61	2"	<b>BCMSM63261</b>

# Bridas SAE

Brides de fixation SAE  
SAE Flanges  
Flange SAE

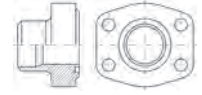
## Brida soldable macho serie L tubo métrico



Bride à souder mâle série L tube métrique  
Male welding flange L serie for metric tube  
Flangia a saldare maschio serie L tubo Metrico

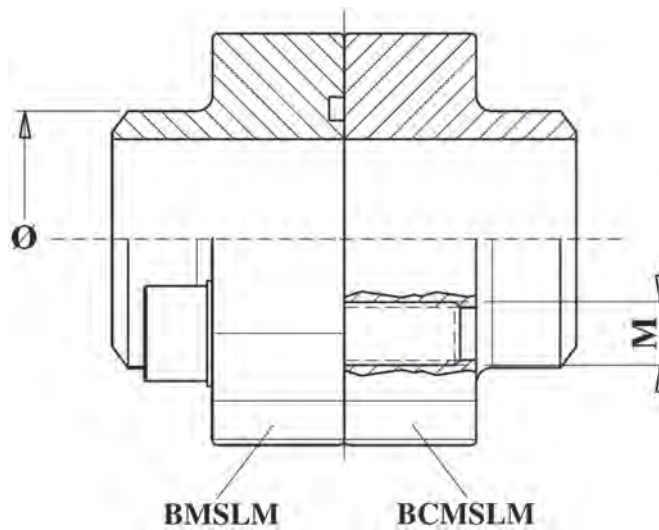
SERIE	Ø ext Ø outer	TAMAÑO SIZE	REFERENCIA PART N°
3000 PSI	20	1/2"	<b>BMSLM30820</b>
3000 PSI	22	1/2"	<b>BMSLM30822</b>
3000 PSI	28	3/4"	<b>BMSLM31228</b>
3000 PSI	35	1"	<b>BMSLM31635</b>
3000 PSI	43	1"1/4	<b>BMSLM32043</b>
3000 PSI	49	1"1/2	<b>BMSLM32449</b>
3000 PSI	61	2"	<b>BMSLM33261</b>
3000 PSI	77	2"1/2	<b>BMSLM34077</b>
3000 PSI	90	3"	<b>BMSLM34890</b>
3000 PSI	115	4"	<b>BMSLM364115</b>

## Contrabrida soldable macho serie L tubo métrico



Contre-bride à souder mâle série L tube métrique  
Male welding counter-flange L serie for metric tube  
Controflangia a saldare maschio serial L tubo Metrico

SERIE	Ø ext Ø outer	TAMAÑO SIZE	REFERENCIA PART N°
3000 PSI	20	1/2"	<b>BCMSLM30820</b>
3000 PSI	22	1/2"	<b>BCMSLM30822</b>
3000 PSI	28	3/4"	<b>BCMSLM31228</b>
3000 PSI	35	1"	<b>BCMSLM31635</b>
3000 PSI	43	1"1/4	<b>BCMSLM32043</b>
3000 PSI	49	1"1/2	<b>BCMSLM32449</b>
3000 PSI	61	2"	<b>BCMSLM33261</b>
3000 PSI	77	2"1/2	<b>BCMSLM34077</b>
3000 PSI	90	3"	<b>BCMSLM34890</b>
3000 PSI	115	4"	<b>BCMSLM364115</b>

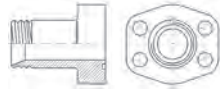




## Bridas SAE

Brides de fixation SAE  
SAE Flanges  
Flange SAE

### Brida roscada macho BSP



Brides taraudées mâle BSP  
BSP Male threaded flange  
Flangia maschio filettata BSP

SERIE	ROSCA THREAD	TAMAÑO SIZE	REFERENCIA PART N°
3000 PSI	1/2" BSP	1/2"	<b>BMRG30808</b>
3000 PSI	3/8" BSP	1/2"	<b>BMRG30806</b>
3000 PSI	3/4" BSP	3/4"	<b>BMRG31212</b>
3000 PSI	1/2" BSP	3/4"	<b>BMRG31208</b>
3000 PSI	1" BSP	1"	<b>BMRG31616</b>
3000 PSI	3/4" BSP	1"	<b>BMRG31612</b>
3000 PSI	1"1/4 BSP	1"1/4	<b>BMRG32020</b>
3000 PSI	1" BSP	1"1/4	<b>BMRG32016</b>
3000 PSI	1"1/2 BSP	1"1/2	<b>BMRG32424</b>
3000 PSI	1"1/4 BSP	1"1/2	<b>BMRG32420</b>
6000 PSI	1/2" BSP	1/2"	<b>BMRG60808</b>
6000 PSI	3/8" BSP	1/2"	<b>BMRG60806</b>
6000 PSI	3/4" BSP	3/4"	<b>BMRG61212</b>
6000 PSI	1/2" BSP	3/4"	<b>BMRG61208</b>
6000 PSI	1" BSP	1"	<b>BMRG61616</b>
6000 PSI	3/4" BSP	1"	<b>BMRG61612</b>
6000 PSI	1"1/4 BSP	1"1/4	<b>BMRG62020</b>
6000 PSI	1" BSP	1"1/4	<b>BMRG62016</b>
6000 PSI	1"1/2 BSP	1"1/2	<b>BMRG62424</b>
6000 PSI	1"1/4 BSP	1"1/2	<b>BMRG62420</b>

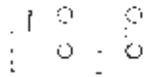
### Brida roscada macho métrico



Brides taraudées mâle Métrique  
Metric Male threaded flange  
Flangia maschio filettata Metrica

SERIE	ROSCA THREAD	TAMAÑO SIZE	REFERENCIA PART N°
3000 PSI	M22x1,5	1/2"	<b>BMRM30822</b>
3000 PSI	M30x2	3/4"	<b>BMRM31230</b>
3000 PSI	M36x2	1"	<b>BMRM31636</b>
3000 PSI	M45x2	1"1/4	<b>BMRM32045</b>
3000 PSI	M52x2	1"1/2	<b>BMRM32452</b>
6000 PSI	M24x1.5	1/2"	<b>BMRM60824</b>
6000 PSI	M36X2	3/4"	<b>BMRM61236</b>
6000 PSI	M42x2	1"	<b>BMRM61642</b>
6000 PSI	M52x2	1"1/4	<b>BMRM62052</b>
6000 PSI	M52x2	1"1/2	<b>BMRM62452</b>

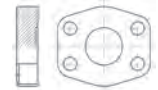
### Bridas ciegas



Brides avec obturateur fermé  
Blind flanges  
Flangia cieche

SERIE	TAMAÑO SIZE	REFERENCIA PART N°
3000 PSI	1/2"	<b>BBC308</b>
3000 PSI	3/4"	<b>BBC312</b>
3000 PSI	1"	<b>BBC316</b>
3000 PSI	1"1/4	<b>BBC320</b>
3000 PSI	1"1/2	<b>BBC324</b>
3000 PSI	2"	<b>BBC332</b>
3000 PSI	2"1/2	<b>BBC340</b>
3000 PSI	3"	<b>BBC348</b>
3000 PSI	3"1/2	<b>BBC356</b>
3000 PSI	4"	<b>BBC364</b>
3000 PSI	5"	<b>BBC380</b>
6000 PSI	1/2"	<b>BBC608</b>
6000 PSI	3/4"	<b>BBC612</b>
6000 PSI	1"	<b>BBC616</b>
6000 PSI	1"1/4	<b>BBC620</b>
6000 PSI	1"1/2	<b>BBC624</b>
6000 PSI	2"	<b>BBC632</b>

### Contrabridas ciegas



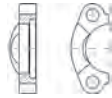
Contre-brides avec obturateur fermé  
Blind counter-flanges  
Controflangia cieche

SERIE	TAMAÑO SIZE	REFERENCIA PART N°
3000 PSI	1/2"	<b>BCC308</b>
3000 PSI	3/4"	<b>BCC312</b>
3000 PSI	1"	<b>BCC316</b>
3000 PSI	1"1/4	<b>BCC320</b>
3000 PSI	1"1/2	<b>BCC324</b>
3000 PSI	2"	<b>BCC332</b>
3000 PSI	2"1/2	<b>BCC340</b>
3000 PSI	3"	<b>BCC348</b>
3000 PSI	3"1/2	<b>BCC356</b>
3000 PSI	4"	<b>BCC364</b>
3000 PSI	5"	<b>BCC380</b>
6000 PSI	1/2"	<b>BCC608</b>
6000 PSI	3/4"	<b>BCC612</b>
6000 PSI	1"	<b>BCC616</b>
6000 PSI	1"1/4	<b>BCC620</b>
6000 PSI	1"1/2	<b>BCC624</b>
6000 PSI	2"	<b>BCC632</b>

# Bridas SAE

Brides de fixation SAE  
SAE Flanges  
Flange SAE

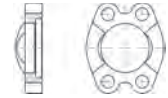
## Brida partida pasante



Demi-bride SAE passage total  
SAE Split flange  
Semiflanguia SAE

SERIE	TAMAÑO SIZE	REFERENCIA PART N°
3000 PSI	1/2"	<b>BBP308</b>
3000 PSI	3/4"	<b>BBP312</b>
3000 PSI	1"	<b>BBP316</b>
3000 PSI	1"1/4	<b>BBP320</b>
3000 PSI	1"1/2	<b>BBP324</b>
3000 PSI	2"	<b>BBP332</b>
3000 PSI	2"1/2	<b>BBP340</b>
3000 PSI	3"	<b>BBP348</b>
3000 PSI	3"1/2	<b>BBP356</b>
3000 PSI	4"	<b>BBP364</b>
6000 PSI	1/2"	<b>BBP608</b>
6000 PSI	3/4"	<b>BBP612</b>
6000 PSI	1"	<b>BBP616</b>
6000 PSI	1"1/4	<b>BBP620</b>
6000 PSI	1"1/2	<b>BBP624</b>
6000 PSI	2"	<b>BBP632</b>

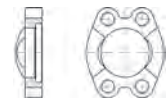
## Brida entera pasante



Bride SAE monobloc passage total  
SAE Flange  
Flangia monoblocco SAE

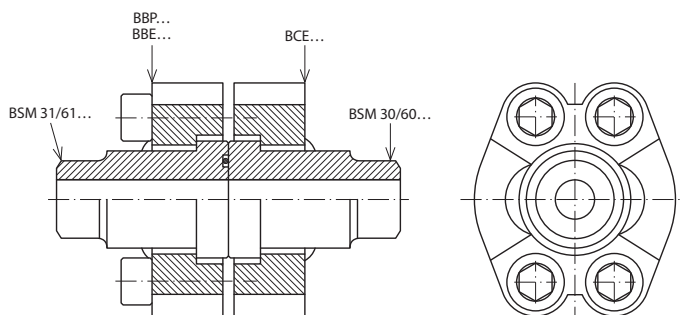
SERIE	TAMAÑO SIZE	REFERENCIA PART N°
3000 PSI	1/2"	<b>BBE308</b>
3000 PSI	3/4"	<b>BBE312</b>
3000 PSI	1"	<b>BBE316</b>
3000 PSI	1"1/4	<b>BBE320</b>
3000 PSI	1"1/2	<b>BBE324</b>
3000 PSI	2"	<b>BBE332</b>
3000 PSI	2"1/2	<b>BBE340</b>
3000 PSI	3"	<b>BBE348</b>
3000 PSI	3"1/2	<b>BBE356</b>
3000 PSI	4"	<b>BBE364</b>
3000 PSI	5"	<b>BBE380</b>
6000 PSI	1/2"	<b>BBE608</b>
6000 PSI	3/4"	<b>BBE612</b>
6000 PSI	1"	<b>BBE616</b>
6000 PSI	1"1/4	<b>BBE620</b>
6000 PSI	1"1/2	<b>BBE624</b>
6000 PSI	2"	<b>BBE632</b>

## Contrabrida rosca Métrica



Contre-bride métrique  
Metric threaded counter-flange  
Controflangia fillettata Metrica

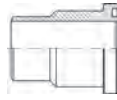
SERIE	TAMAÑO SIZE	REFERENCIA PART N°
3000 PSI	1/2"	<b>BCE308</b>
3000 PSI	3/4"	<b>BCE312</b>
3000 PSI	1"	<b>BCE316</b>
3000 PSI	1"1/4	<b>BCE320</b>
3000 PSI	1"1/2	<b>BCE324</b>
3000 PSI	2"	<b>BCE332</b>
3000 PSI	2"1/2	<b>BCE340</b>
3000 PSI	3"	<b>BCE348</b>
3000 PSI	3"1/2	<b>BCE356</b>
3000 PSI	4"	<b>BCE364</b>
3000 PSI	5"	<b>BCE380</b>
6000 PSI	1/2"	<b>BCE608</b>
6000 PSI	3/4"	<b>BCE612</b>
6000 PSI	1"	<b>BCE616</b>
6000 PSI	1"1/4	<b>BCE620</b>
6000 PSI	1"1/2	<b>BCE624</b>
6000 PSI	2"	<b>BCE632</b>



# Bridas SAE

Brides de fixation SAE  
SAE Flanges  
Flange SAE

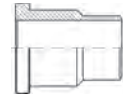
## Cono soldable tubo métrico



Collet à souder tube métrique  
Welding adaptor for metric tube  
Adattatore a saldare per tubo Metrico

SERIE	Ø ext Ø outer	TAMAÑO SIZE	REFERENCIA PART N°
3000 PSI	16	1/2"	<b>BSM310816</b>
3000 PSI	25	3/4"	<b>BSM311225</b>
3000 PSI	30	1"	<b>BSM311630</b>
3000 PSI	38	1 1/4"	<b>BSM3132038</b>
3000 PSI	45	1 1/2"	<b>BSM312445</b>
3000 PSI	60	2"	<b>BSM313260</b>
3000 PSI	70	2 1/2"	<b>BSM314070</b>
3000 PSI	80	3"	<b>BSM314880</b>
3000 PSI	100	3 1/2"	<b>BSM3156100</b>
3000 PSI	114.3	4"	<b>BSM31641143</b>
3000 PSI	139.7	5"	<b>BSM31801397</b>
6000 PSI	16	1/2"	<b>BSM610816</b>
6000 PSI	25	3/4"	<b>BSM611225</b>
6000 PSI	30	1"	<b>BSM611630</b>
6000 PSI	38	1 1/4"	<b>BSM612038</b>
6000 PSI	45	1 1/2"	<b>BSM612445</b>
6000 PSI	60	2"	<b>BSM613260</b>

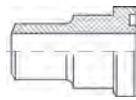
## Cono soldable tubo métrico sin junta



Collet à souder tube métrique sans o'ring  
Welding adaptor for metric tube without o'ring  
Adattatore a saldare per tubo Metrico sin o'ring

SERIE	Ø ext Ø outer	TAMAÑO SIZE	REFERENCIA PART N°
3000 PSI	16	1/2"	<b>BSM300816</b>
3000 PSI	25	3/4"	<b>BSM301225</b>
3000 PSI	30	1"	<b>BSM301630</b>
3000 PSI	38	1 1/4"	<b>BSM302038</b>
3000 PSI	45	1 1/2"	<b>BSM302445</b>
3000 PSI	60	2"	<b>BSM303260</b>
3000 PSI	70	2 1/2"	<b>BSM304070</b>
3000 PSI	80	3"	<b>BSM304880</b>
3000 PSI	100	3 1/2"	<b>BSM3056100</b>
3000 PSI	114.3	4"	<b>BSM30641143</b>
3000 PSI	139.7	5"	<b>BSM30801397</b>
6000 PSI	16	1/2"	<b>BSM600816</b>
6000 PSI	25	3/4"	<b>BSM601225</b>
6000 PSI	30	1"	<b>BSM601630</b>
6000 PSI	38	1 1/4"	<b>BSM602038</b>
6000 PSI	45	1 1/2"	<b>BSM602445</b>
6000 PSI	60	2"	<b>BSM603260</b>

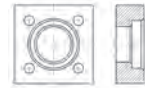
## Cono Cetop soldable exterior



Collet Cetop à souder  
Cetop welding adaptor  
Adattatore a saldare Cetop

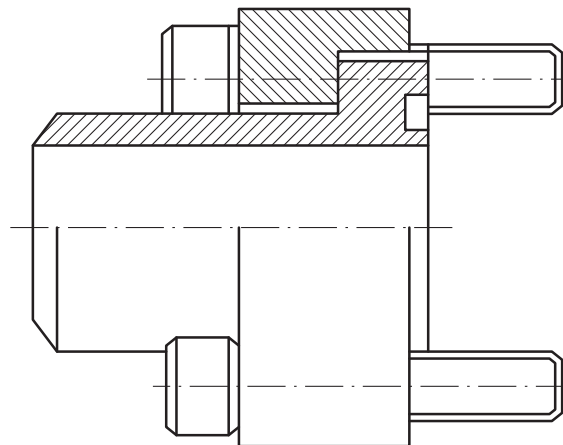
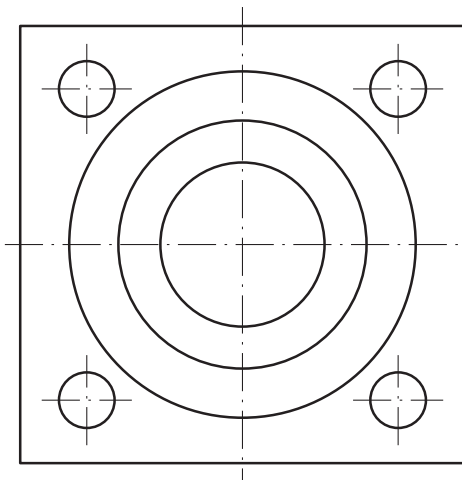
SERIE	Ø ext Ø outer	TAMAÑO SIZE	REFERENCIA PART N°
3000 PSI	18	3/8"	<b>BCTS30618</b>
6000 PSI	18	3/8"	<b>BCTS60618</b>

## Bridas Cetop



Brides Cetop  
Cetop flanges  
Flangia Cetop

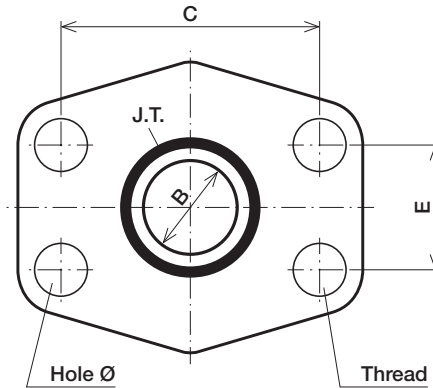
SERIE	Ø in	TAMAÑO SIZE	REFERENCIA PART N°
3000 PSI	31	1/2"	<b>BCT30831</b>



# Bridas SAE

Bridas SAE | SAE flanges | Flange SAE

► **Características comunes** | Données communes | Common characteristics | Caratteristiche comuni



**Bridas 3000 PSI** | Brides 3000 PSI | Flanges 3000 PSI | Flange 3000 PSI

Tamaño   Taille   Size   Misura	Max. pre.   Max. pre.   Max. pre.   Max. pre.	B	C	E	O'ring   O'ring   O'ring   O'ring	Ø	Rosca   Filetage   Thread   Filetto
1/2"	345 bar	13	38,1	17,48	18,64x3,53	9	M8
3/4"	345 bar	19	47,63	22,23	24,99x3,53	11	M10
1	345 bar	25	52,37	26,19	32,92x3,53	11	M10
1" 1/4	276 bar	32	58,72	30,18	37,70x3,53	11,5	M10
1" 1/2	207 bar	38	69,85	35,71	47,22x3,53	13,5	M12
2	207 bar	51	77,77	42,88	56,74x3,53	13,5	M12
2 1/2"	172 bar	63	88,9	50,8	66,27x3,53	13,5	M12
3	138 bar	73	106,38	61,93	85,32x3,53	17,5	M16
3" 1/2	34 bar	89	120,65	69,85	98,02x3,53	17,5	M16
4	34 bar	99	130,18	77,77	110,72x3,53	17,5	M16

**Bridas 6000 PSI** | Brides 6000 PSI | Flanges 6000 PSI | Flange 6000 PSI

Tamaño   Taille   Size   Misura	Max. pre.   Max. pre.   Max. pre.   Max. pre.	B	C	E	O'ring   O'ring   O'ring   O'ring	Ø	Rosca   Filetage   Thread   Filetto
1/2"	414 bar	13	40,49	18,24	18,64x3,53	9	M8
3/4"	414 bar	19	50,8	23,8	24,99x3,53	11	M10
1	414 bar	25	57,15	27,76	32,92x3,53	13	M12
1" 1/4	414 bar	32	66,68	31,75	37,70x3,53	15	M14
1" 1/2	414 bar	38	79,38	36,5	47,22x3,53	17	M16
2	414 bar	51	96,82	44,45	56,74x3,53	21	M20
2 1/2"	414 bar	63	123,8	58,7	66,27x3,53	-	-